

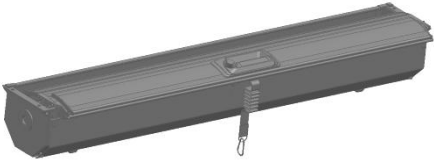
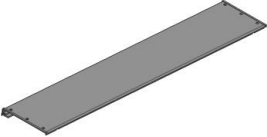





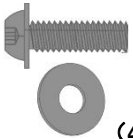
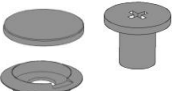

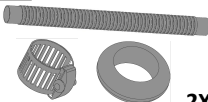
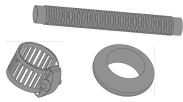



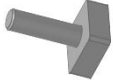


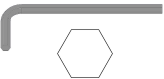
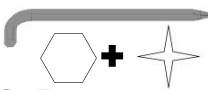



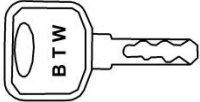


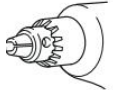

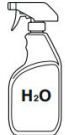
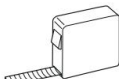
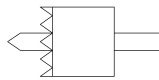
Pickup Retractable Tonneau Cover Installation Manual

Table of Contents

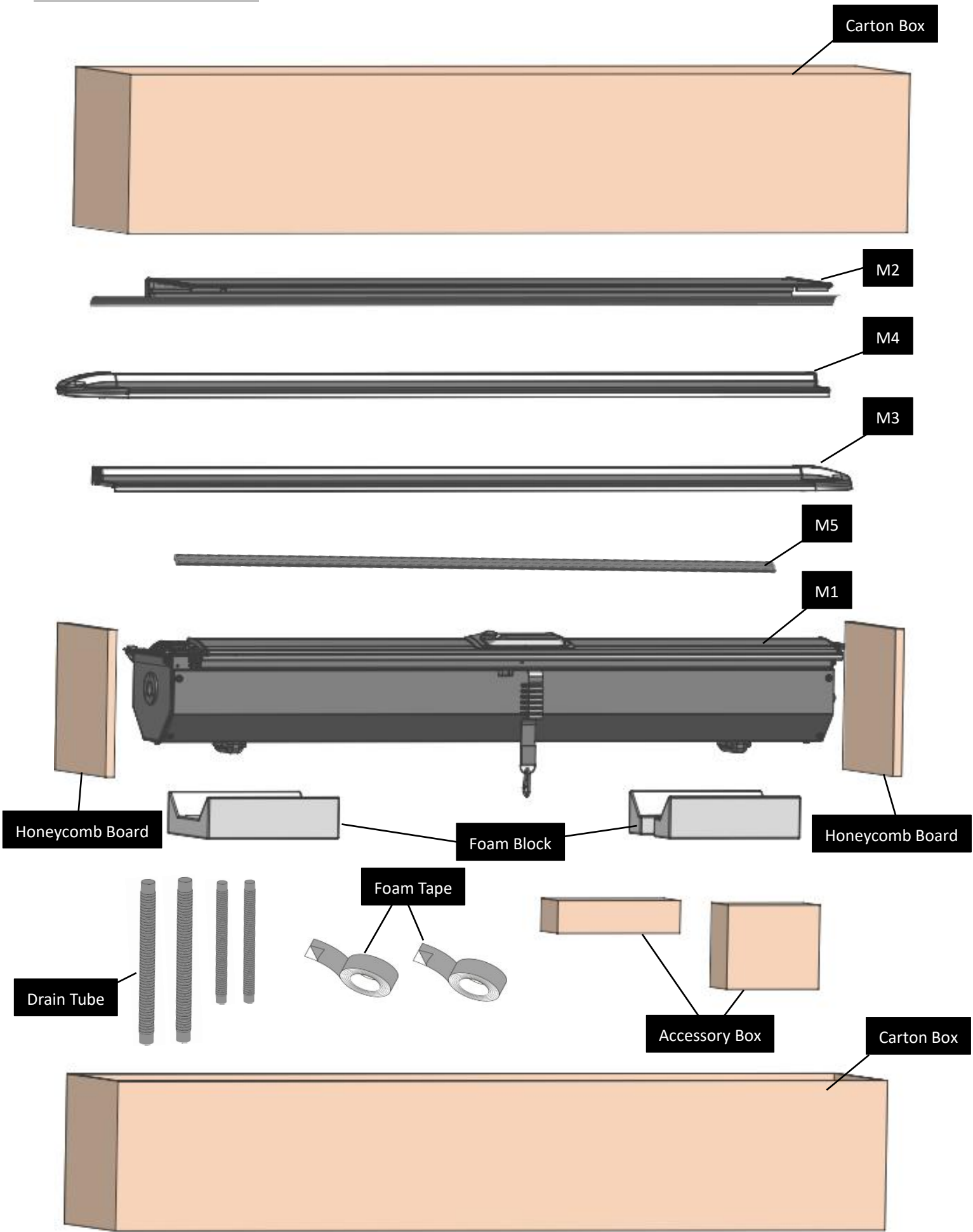
1 Product Introduction.....	2
1.1 Bill of Material.....	2
1.2 Product Components.....	3
2 Installation.....	4
2.1 Preparation.....	4
2.2 Assembly.....	5
2.3 Installation.....	11
2.4 Inspection(M5 or M6).....	15
3 Operation.....	20
3.1 Manual Lock Introduction.....	20
3.2 Benefits.....	20
3.3 Operation.....	21
3.4 Function Introduction.....	21
3.5 LED Light.....	22
4 Maintenance.....	23
4.1 Daily Maintenance.....	23
4.2 Common Problem Solution.....	23
5 Helpful Maintenance Hints.....	24

1 Product Introduction

1.1 Bill of Material

M1  1X	M2  1X					
M3  1X	M4  1X					
Gauge M5 or M6(for installation adjustment)						
M5  1X	M6  L1+R1					
Bill of Material-Canister(Varies from different car models, but installation is the same)						
A  (2X)	B  (4X)	C  6X	D  2X	E  2X	F  2X	
Bill of Material-Brackets						
G  (4X)	H  (4X)	I  (4X)	J  (4X)	K  (4X)	L  (4X)	
Bill of Material-Tools						
X  S=5 1X	Y  S=5 1X	Z  S=8/10 1X				
Maintenance			Spare Parts			
Sealant  1X	Lubricant  1X		 2X			
Other Assisive tools (Provided by Customer)						
				 H₂O	 Φ20	 Φ28

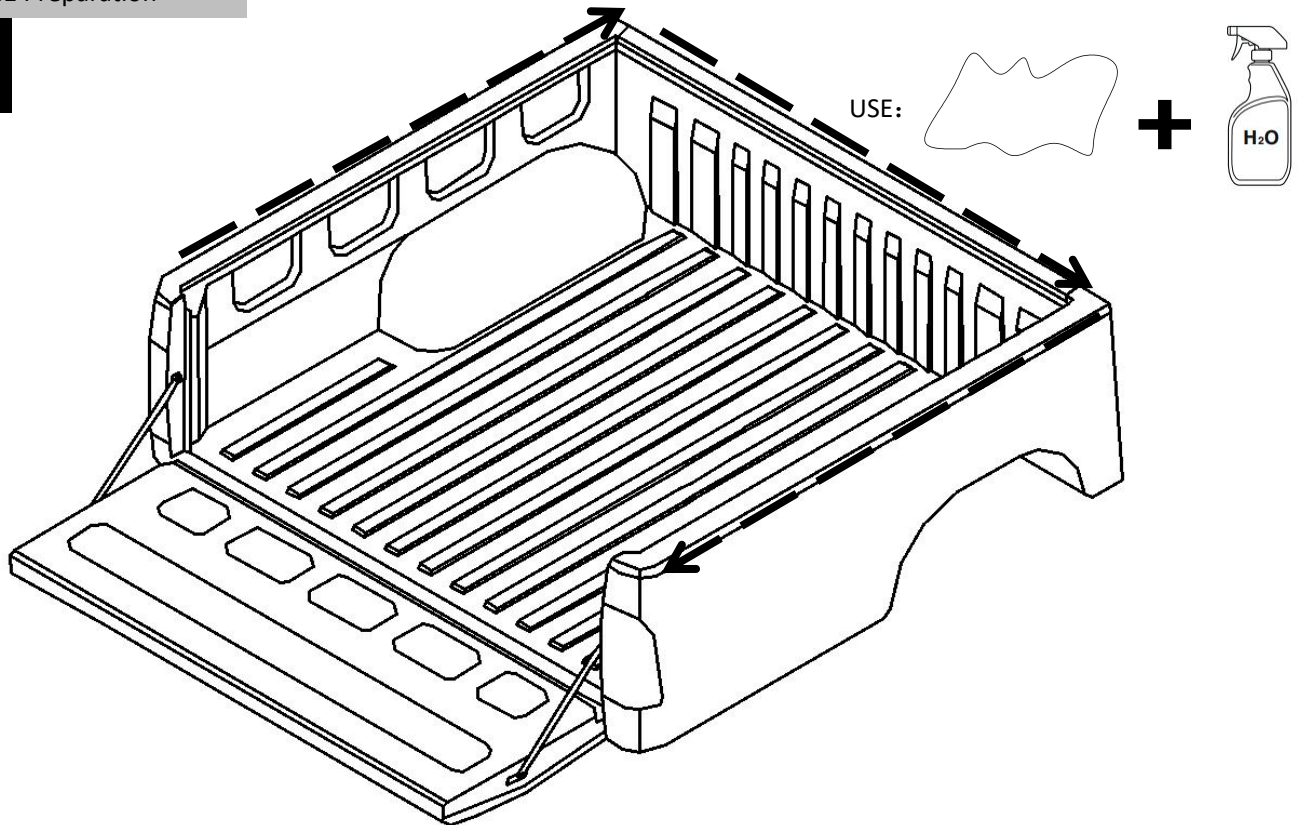
1.2 Product Components



2 Installation

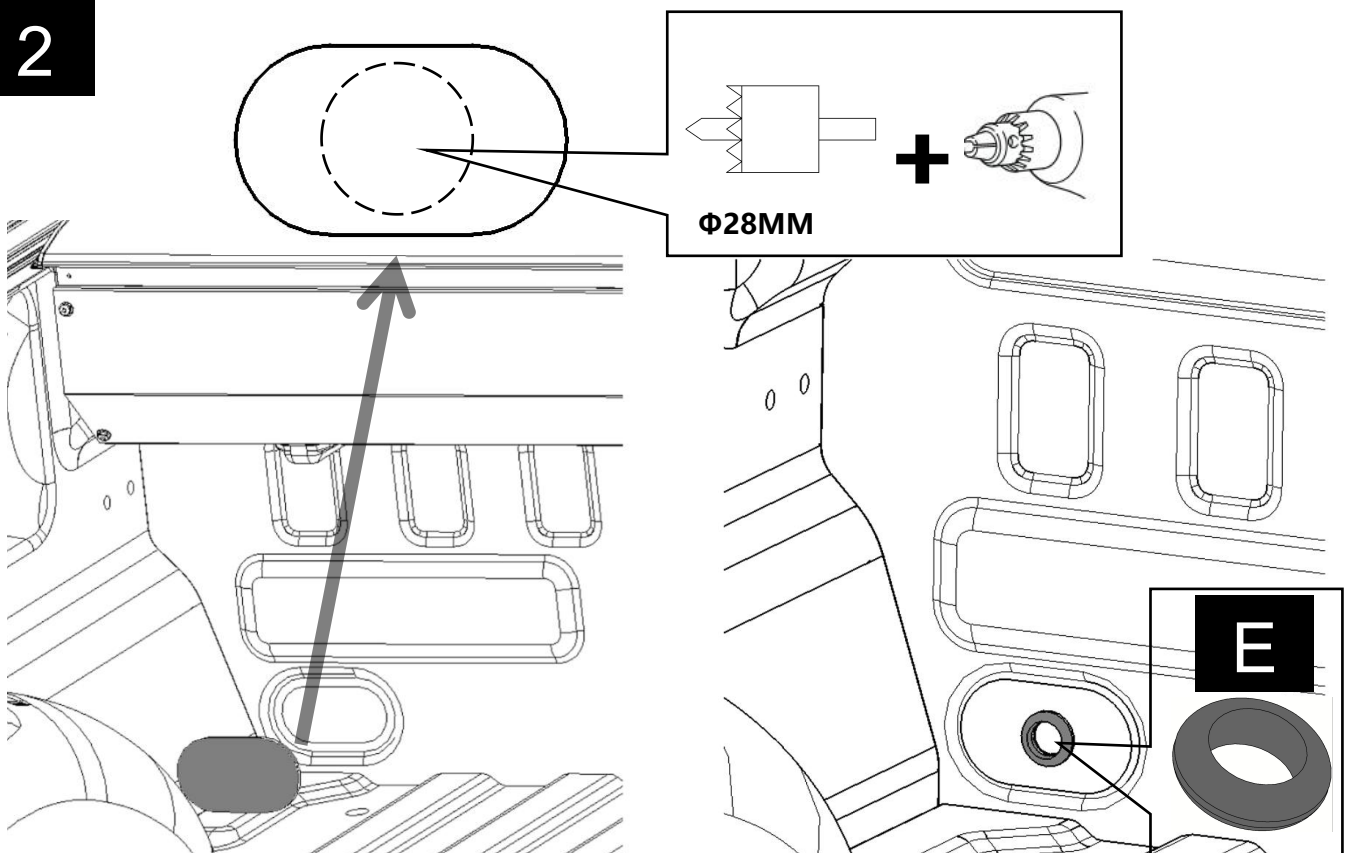
2.1 Preparation

1



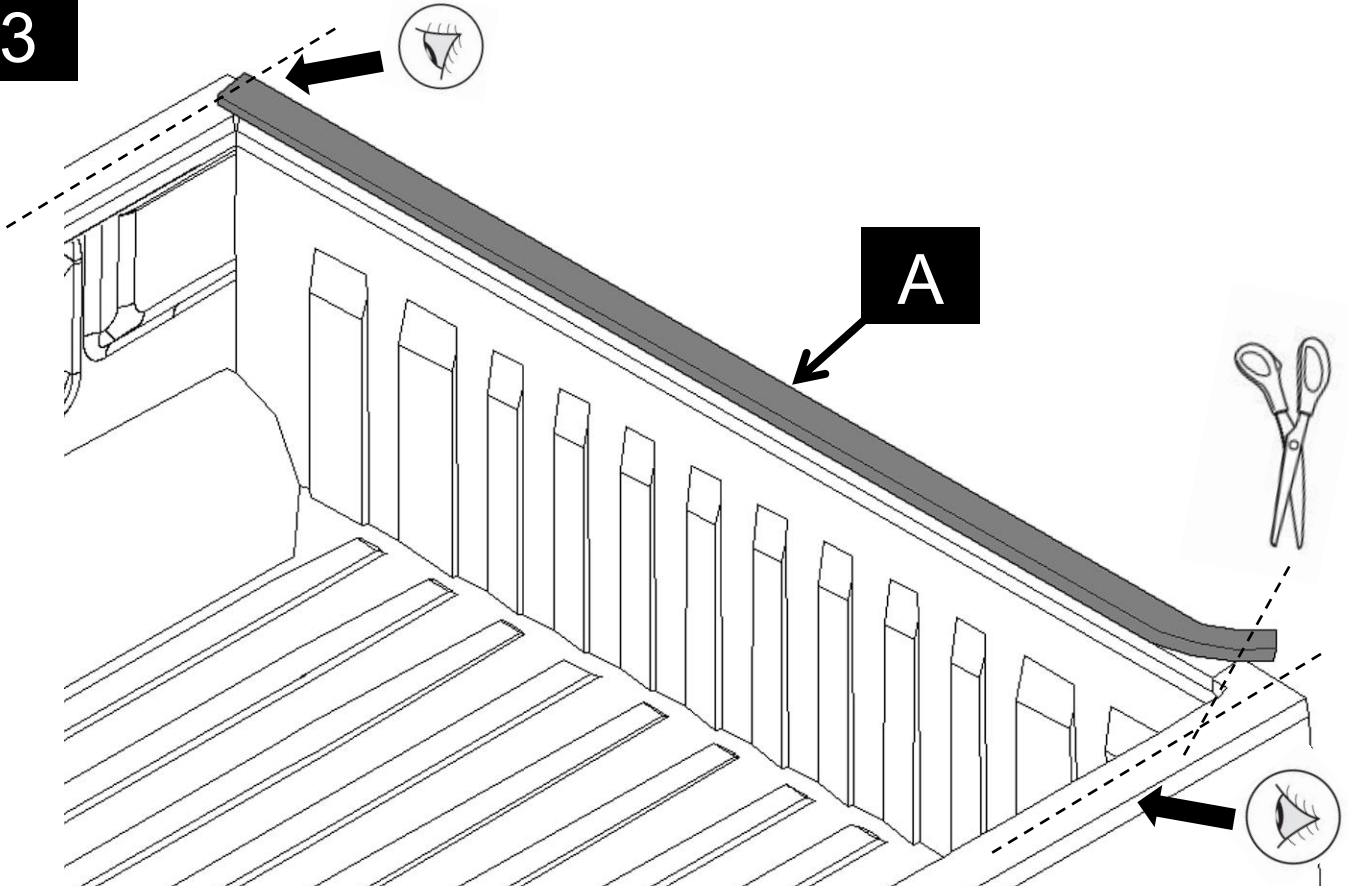
Wipe the mounting surface clean.

2



1. If there is a hole in the truck bed, no drilling is required;
2. Remove the truck bed drainage plate on both sides. Drill a $\Phi 28$ hole with the above tool (make the hole surface smooth without hurting hands) and then install the rubber washer). Install the plate back;
3. The non-drainage movable plate should be drilled in the truck bed.

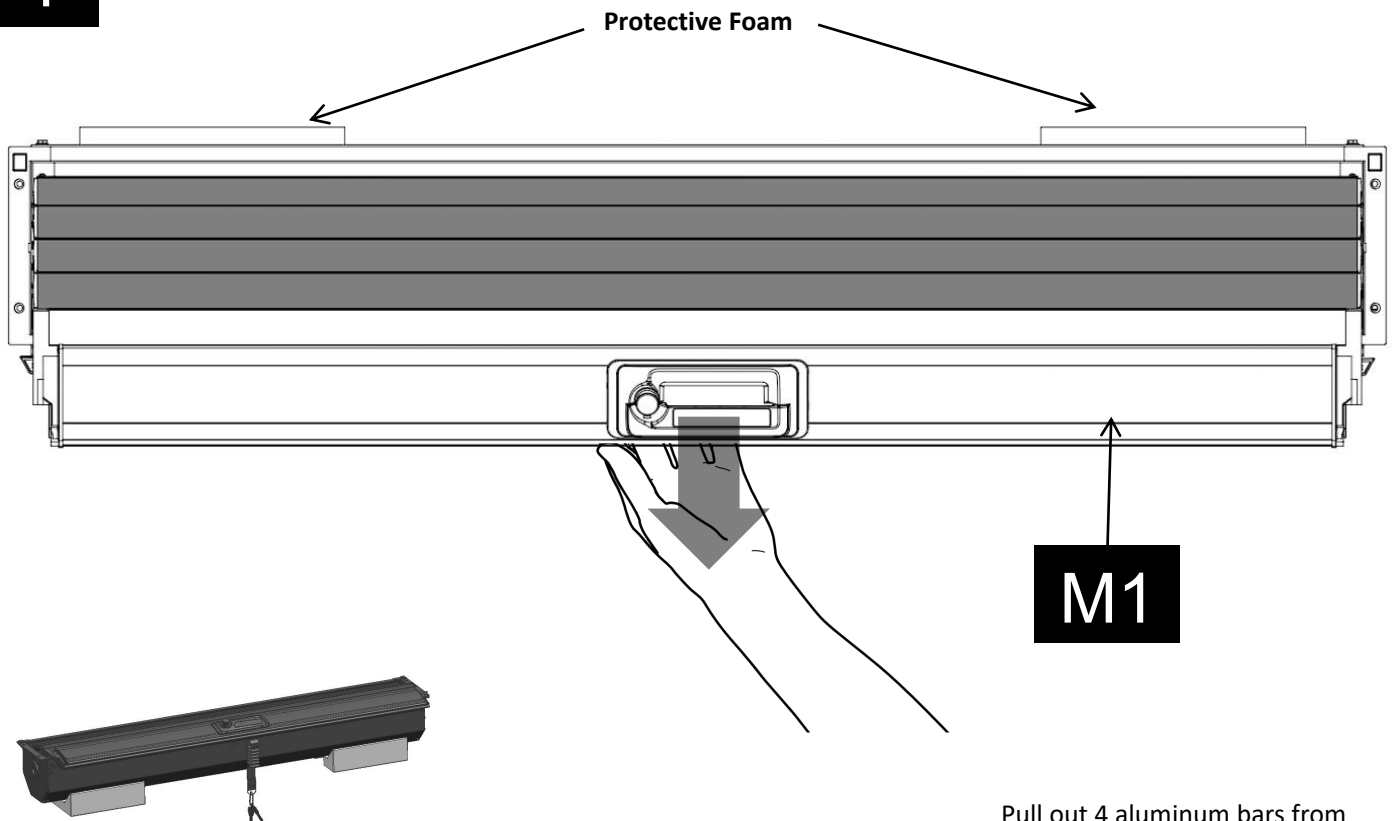
3



Paste the foam on the front bar to achieve same height level with truck side bar, and cut off the excess parts to make sure aligning on both sides.

2.2 Assembly

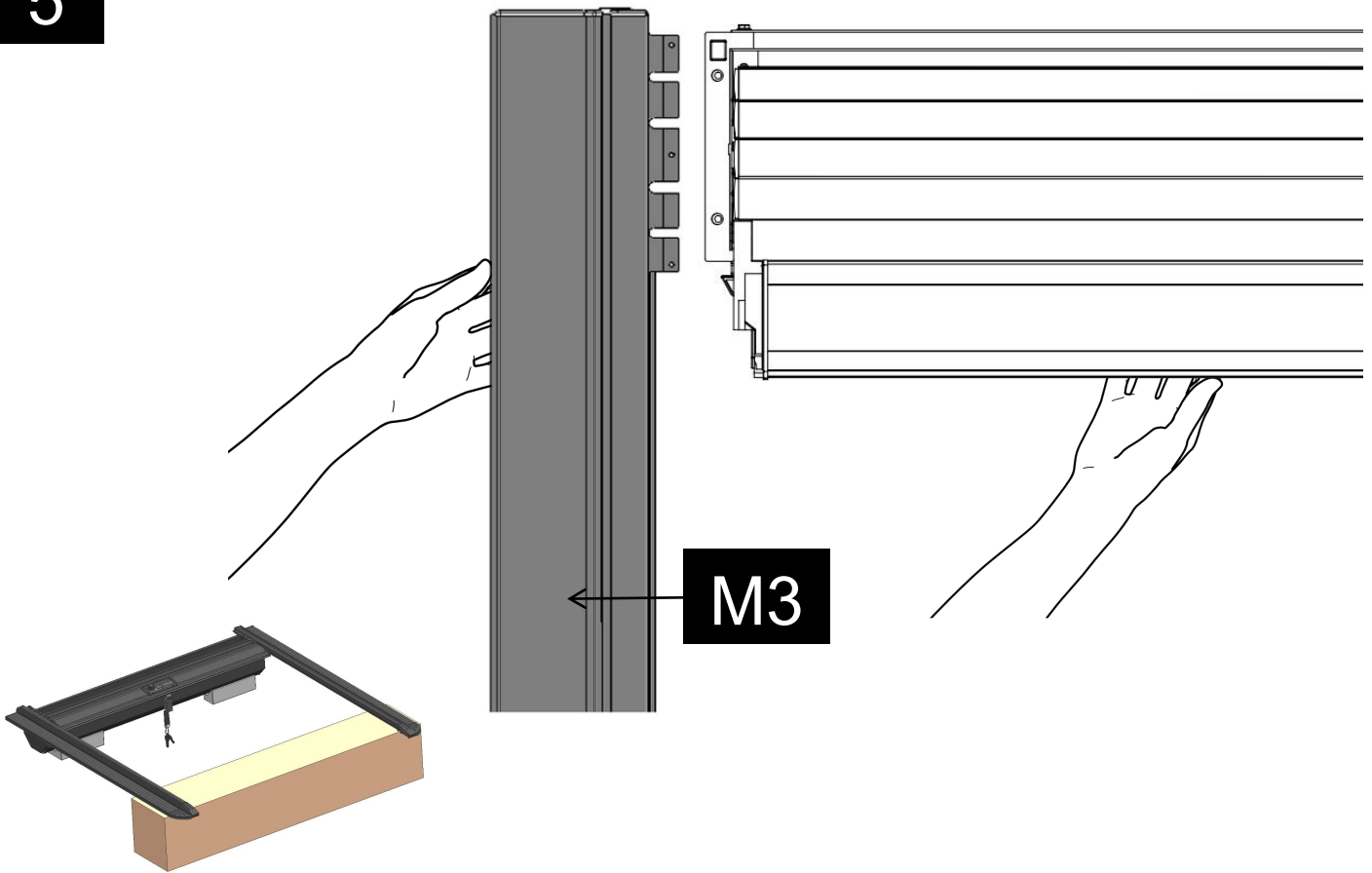
4



Tips: Put the canister on the foam block for assembly to avoid scratch.

Pull out 4 aluminum bars from the canister.

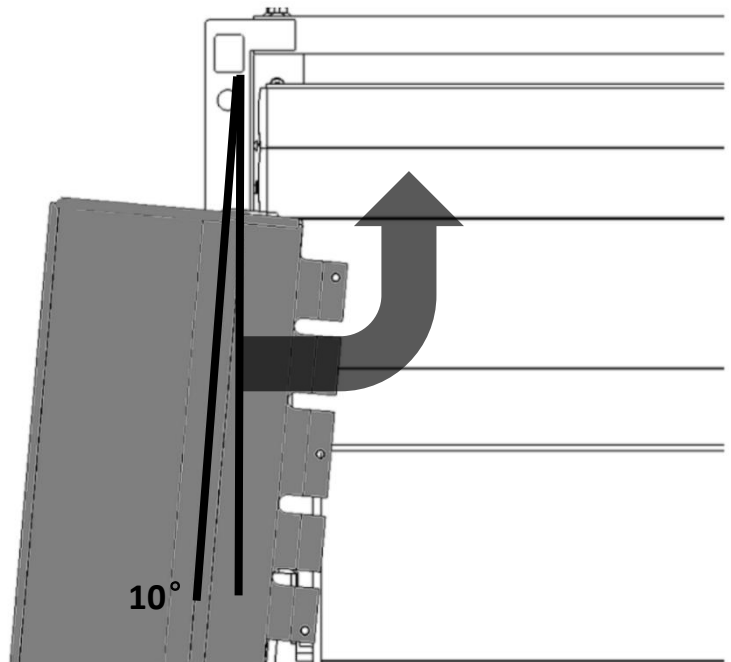
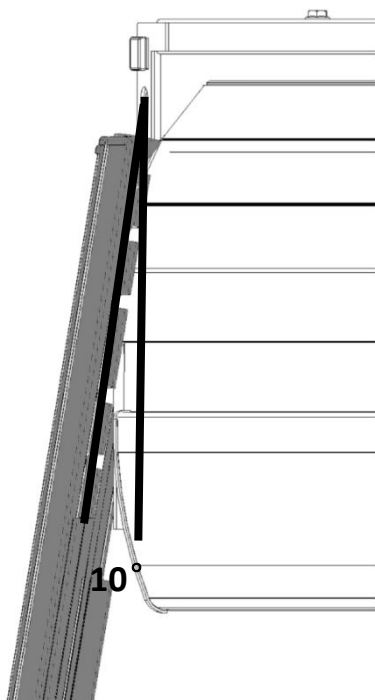
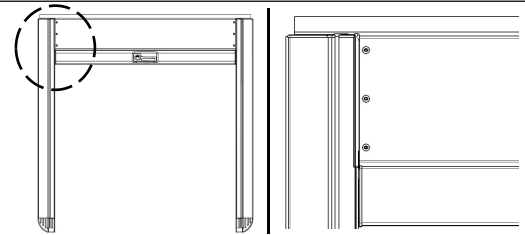
5



Tips: Place the side bars on carton box to avoid scratch.

Place the side bars beside the canister as picture.

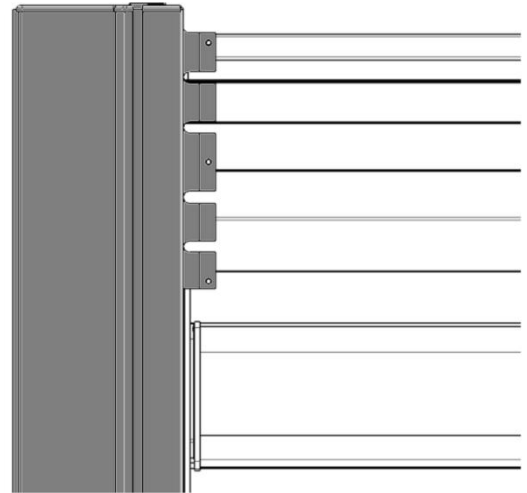
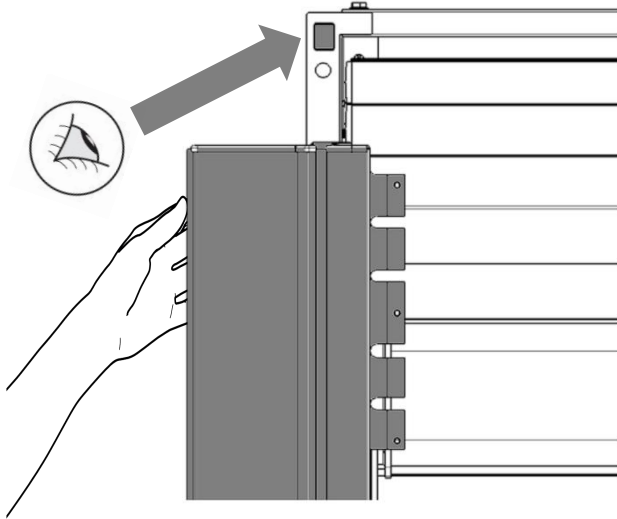
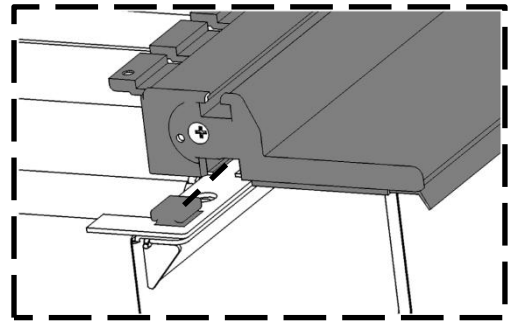
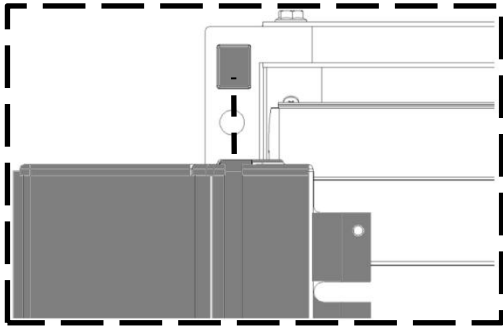
6



Tips: Avoid excessive operation leading to product damage.

Lift the side bar up 10° and then out 10°;
Slide the roller into the side bar chute.

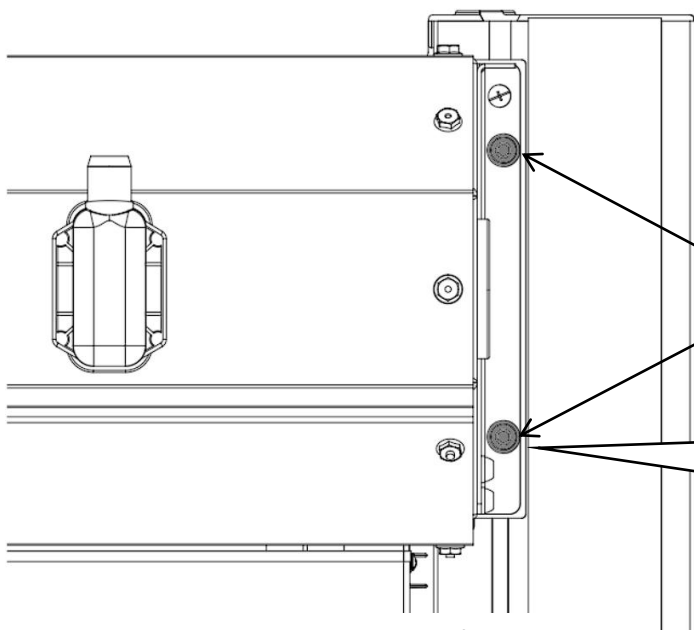
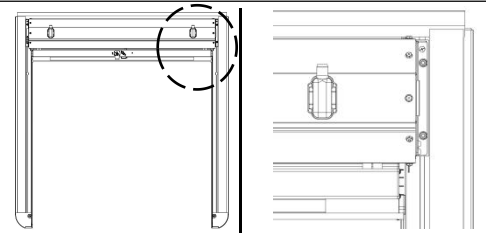
7



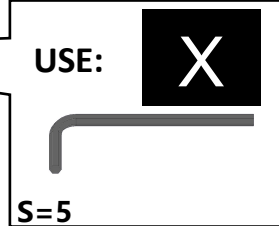
Tips: Avoid excessive operation leading to product damage.

Align the side bar groove with the raised T-block and push the side bar until it can not move forward.

8



B

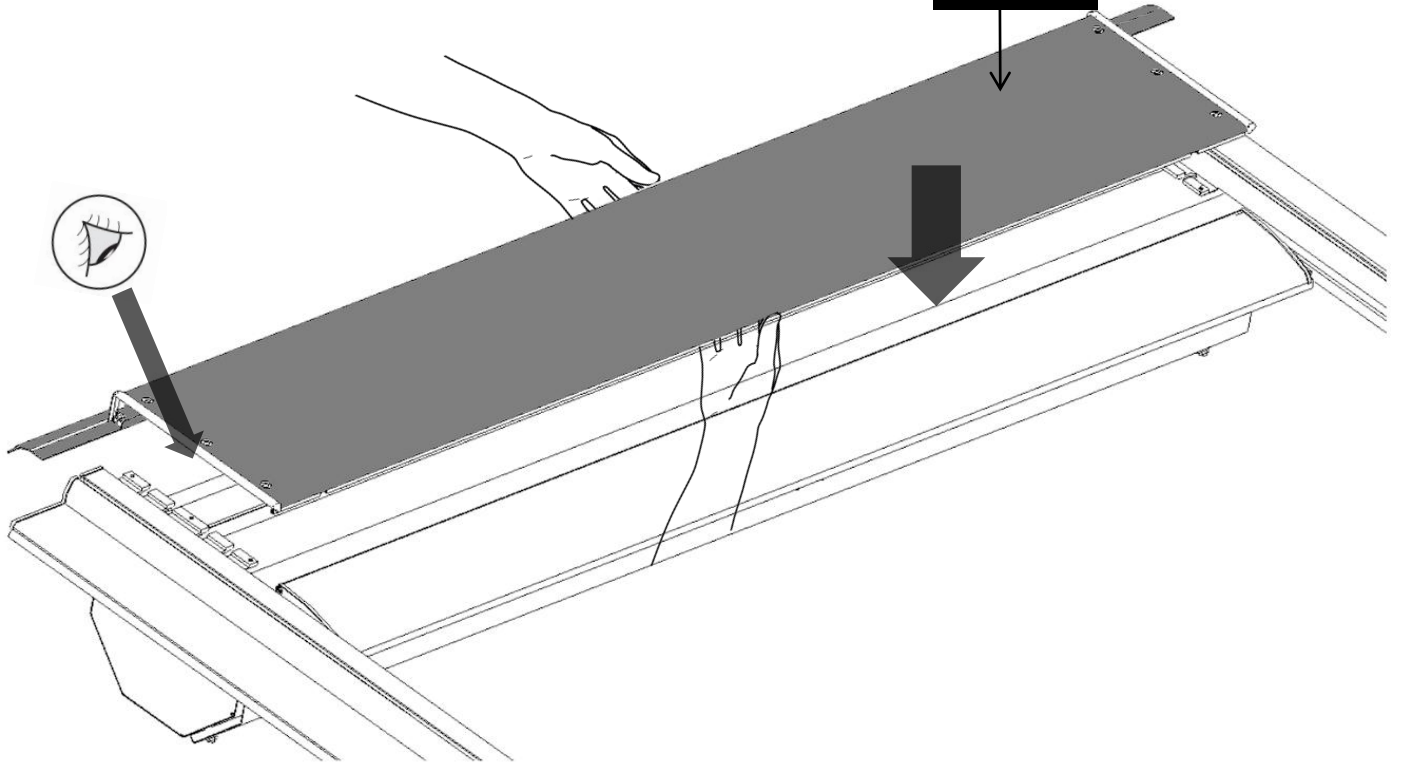


Tips: This operation need to reverse the canister. If the bolts can not be fixed, please adjust the side bar and the canister hole alignment.

Tighten the bolt with wrench.

9

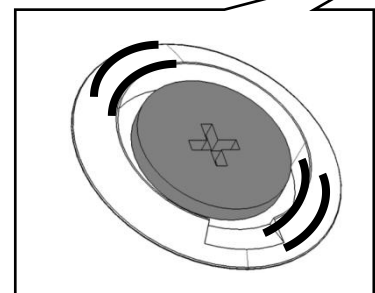
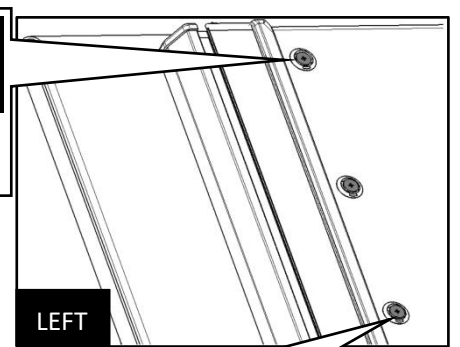
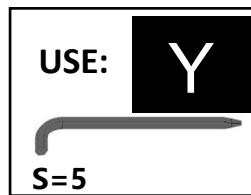
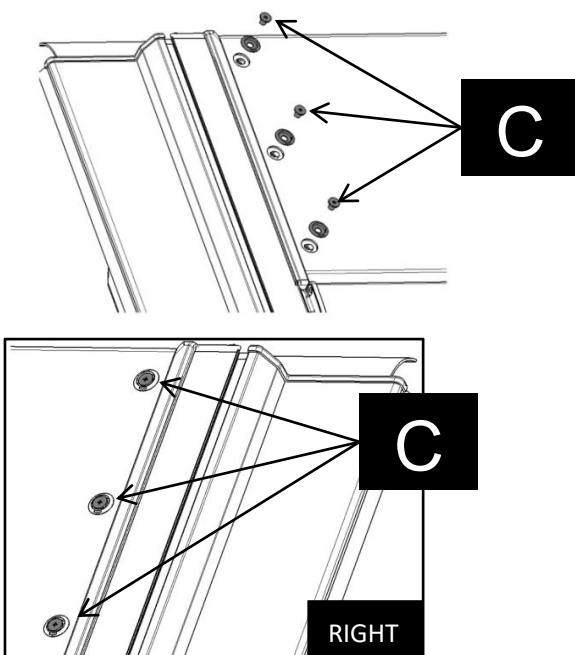
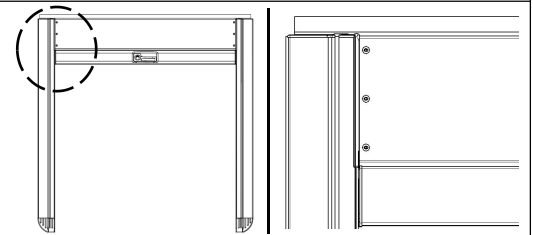
M2



Tips: Match the top cover exactly to the canister.

Align the top cover with the holes on side bar.

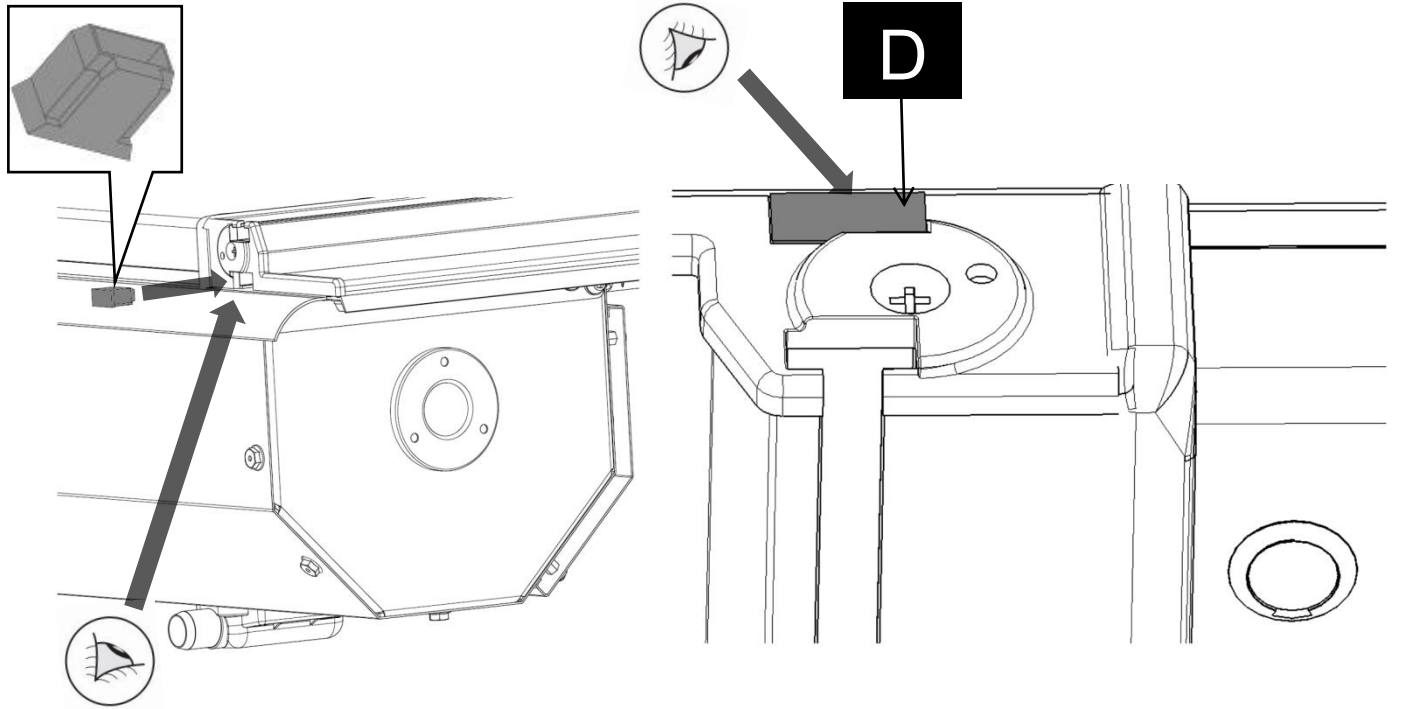
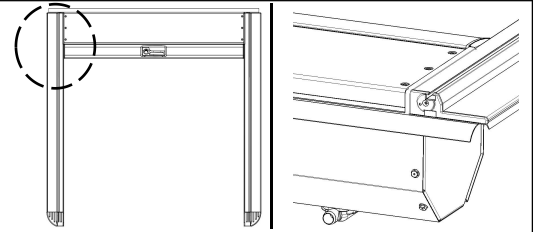
10



Tips: Pre-tighten the bolts on left side. Then on right side. And fix all the bolts finally.

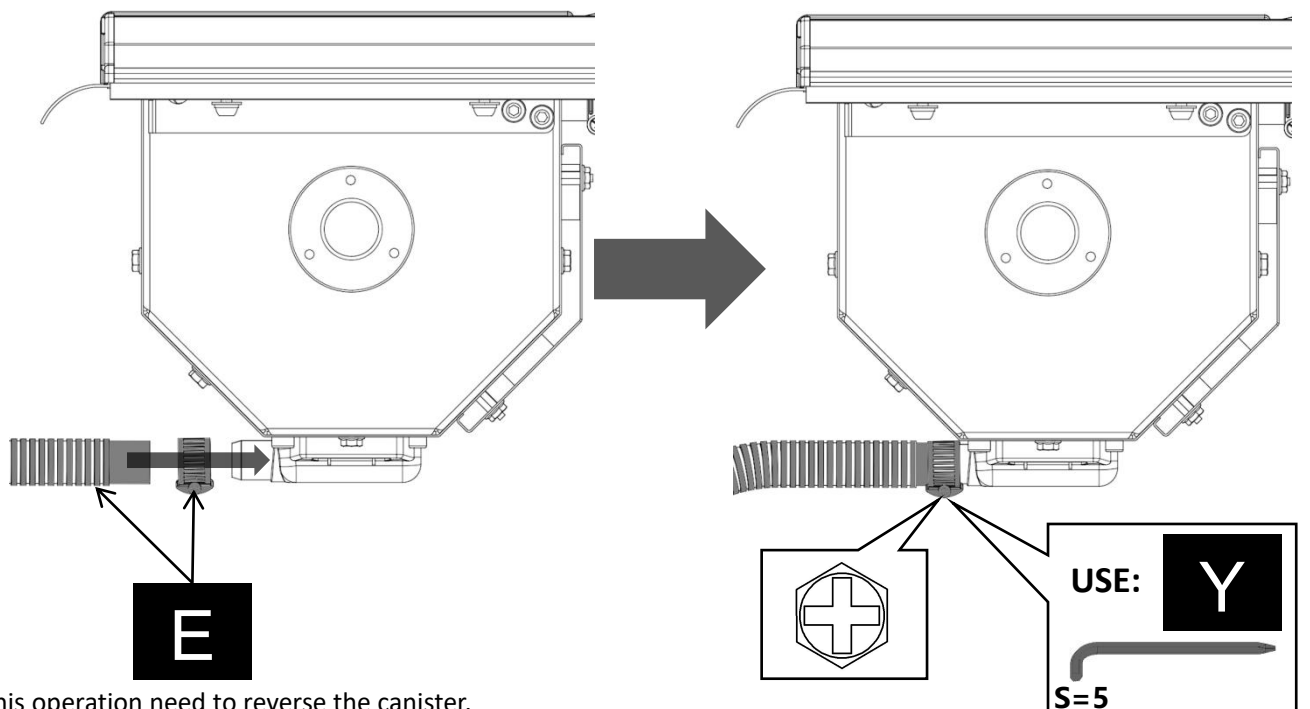
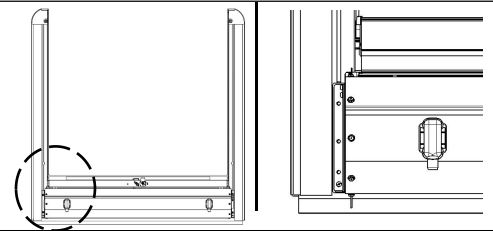
Place the bolt + washer on the holes of top cover; Tighten the bolts with wrench; Cover them with screw caps.

11



Tips: The narrower portion of fitting D should be oriented downward.

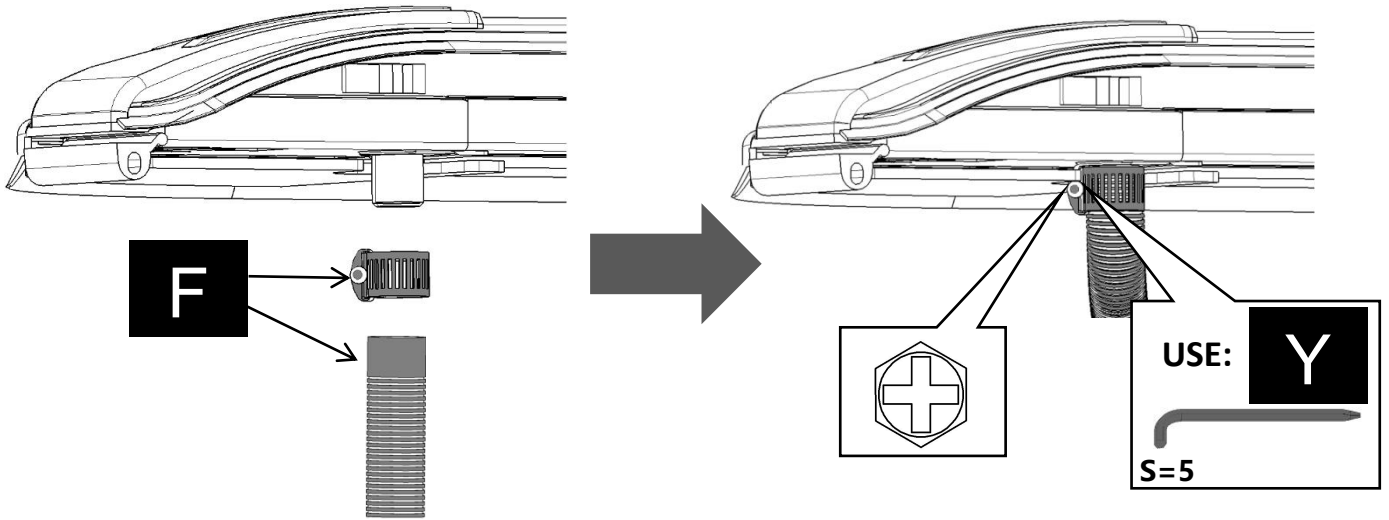
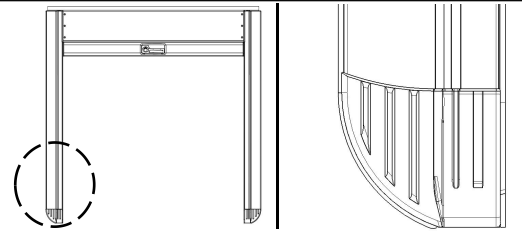
12



Tips: This operation need to reverse the canister.
And install the drain tubes consistently.

Fix bolt on part E with wrench.

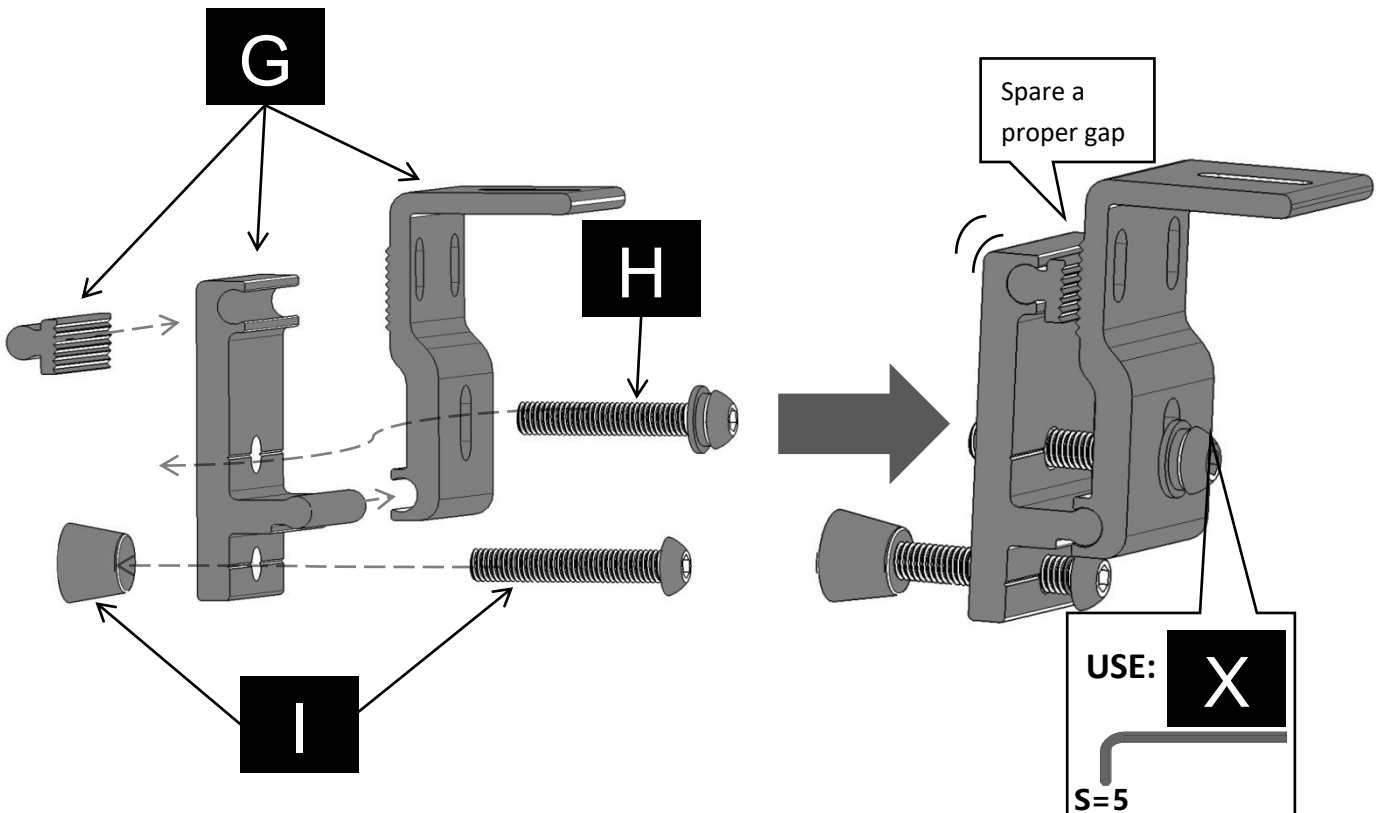
13



Tips: Install the drain tubes consistently.

Fix bolt on part F with wrench.

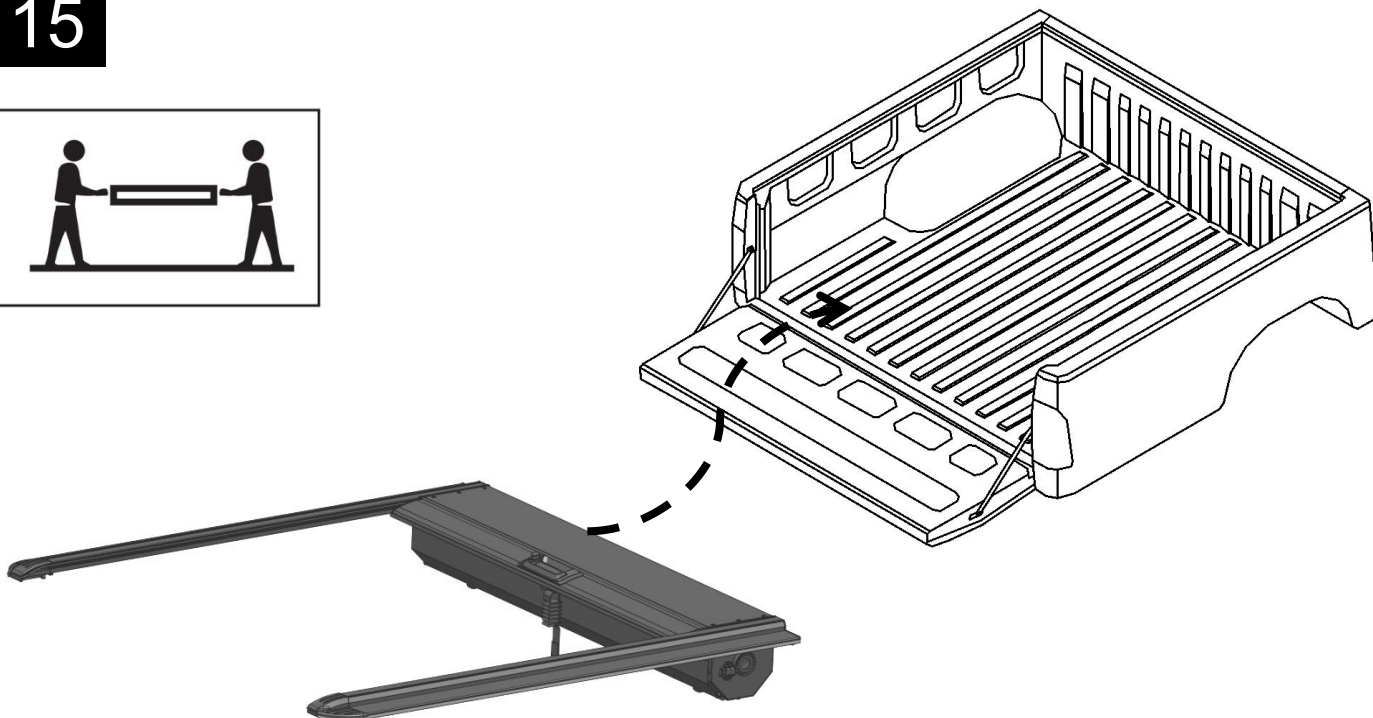
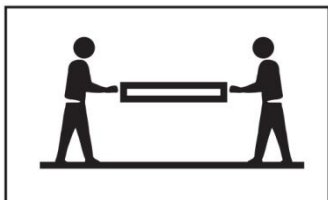
14



Tips: Two pieces in one set. Do not tighten, to spare a gap for installation on the vehicle.

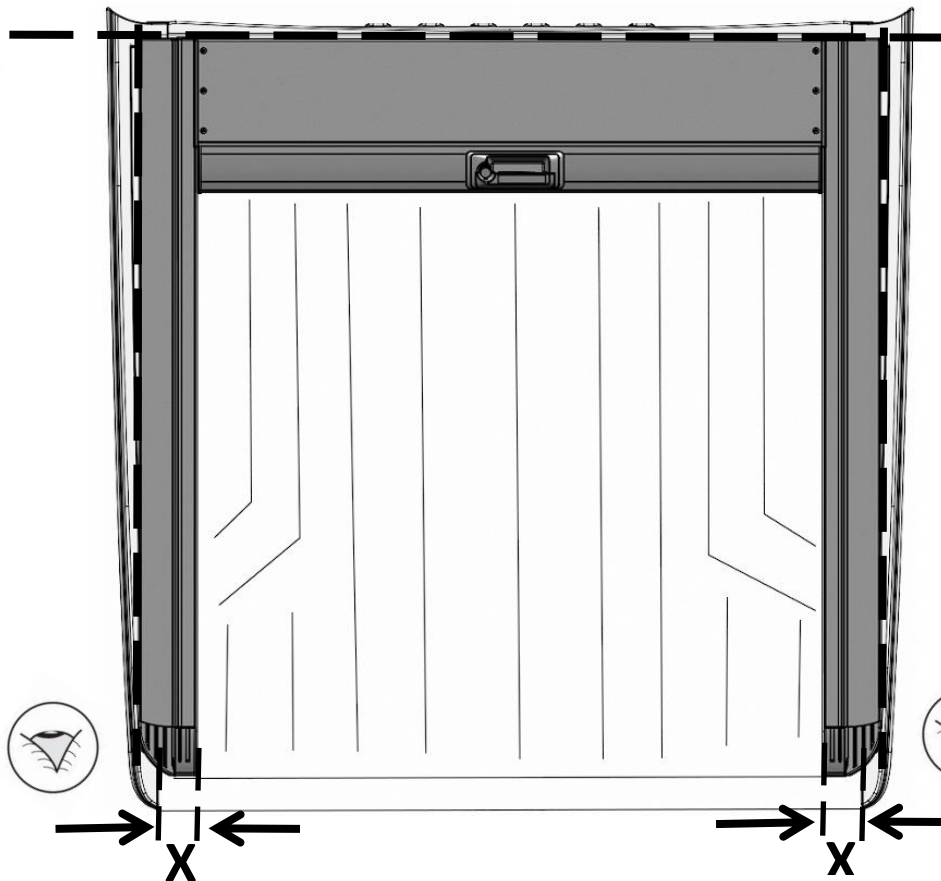
Assemble part I, G,H together, and pre-tighten the bolts with wrench.

15



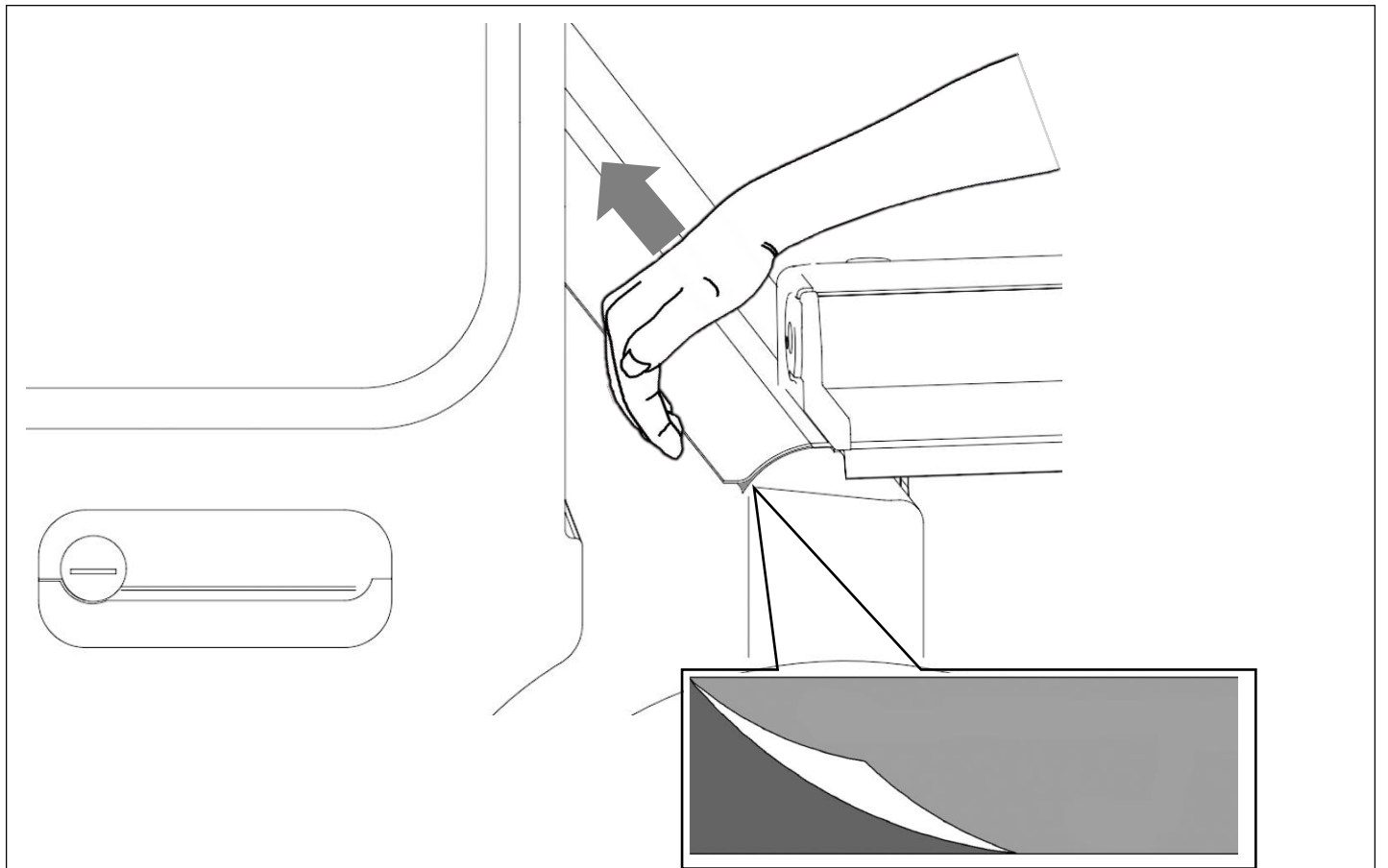
Tips: Installation requires 2 people to lift the product onto the truck bed for safety of personnel and product. Please pay attention to avoid any scratch on vehicle and product surface.

Lift the product onto the truck bed.



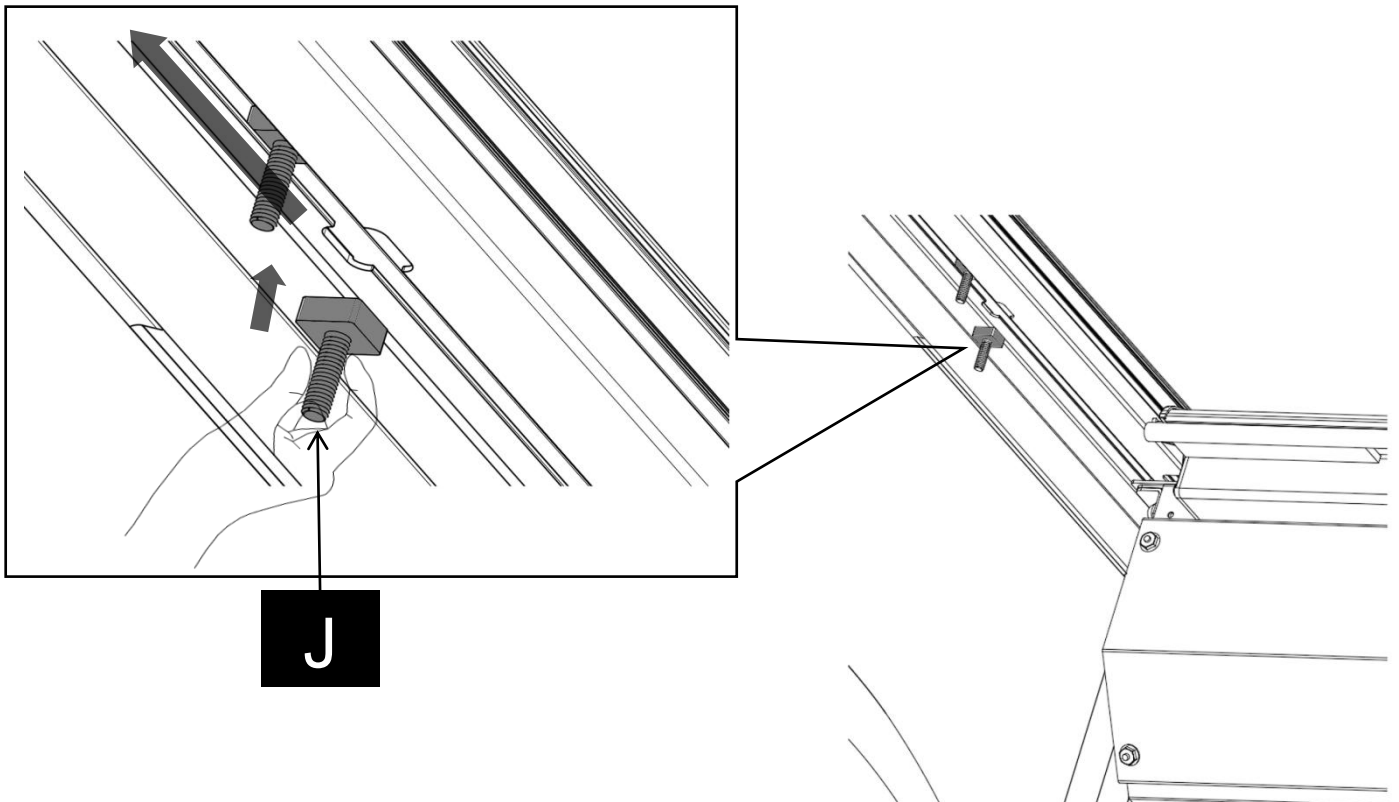
If the end cap is not covered on the tailgate for 1-2cm, you need to move the cover backward slightly.

Push the roller to the end; Keep the same distance on both sides.



Tear off the tape under the top cover rubber and paste it on the front edge of the truck bed, then press down by hand to make it stick firmly.

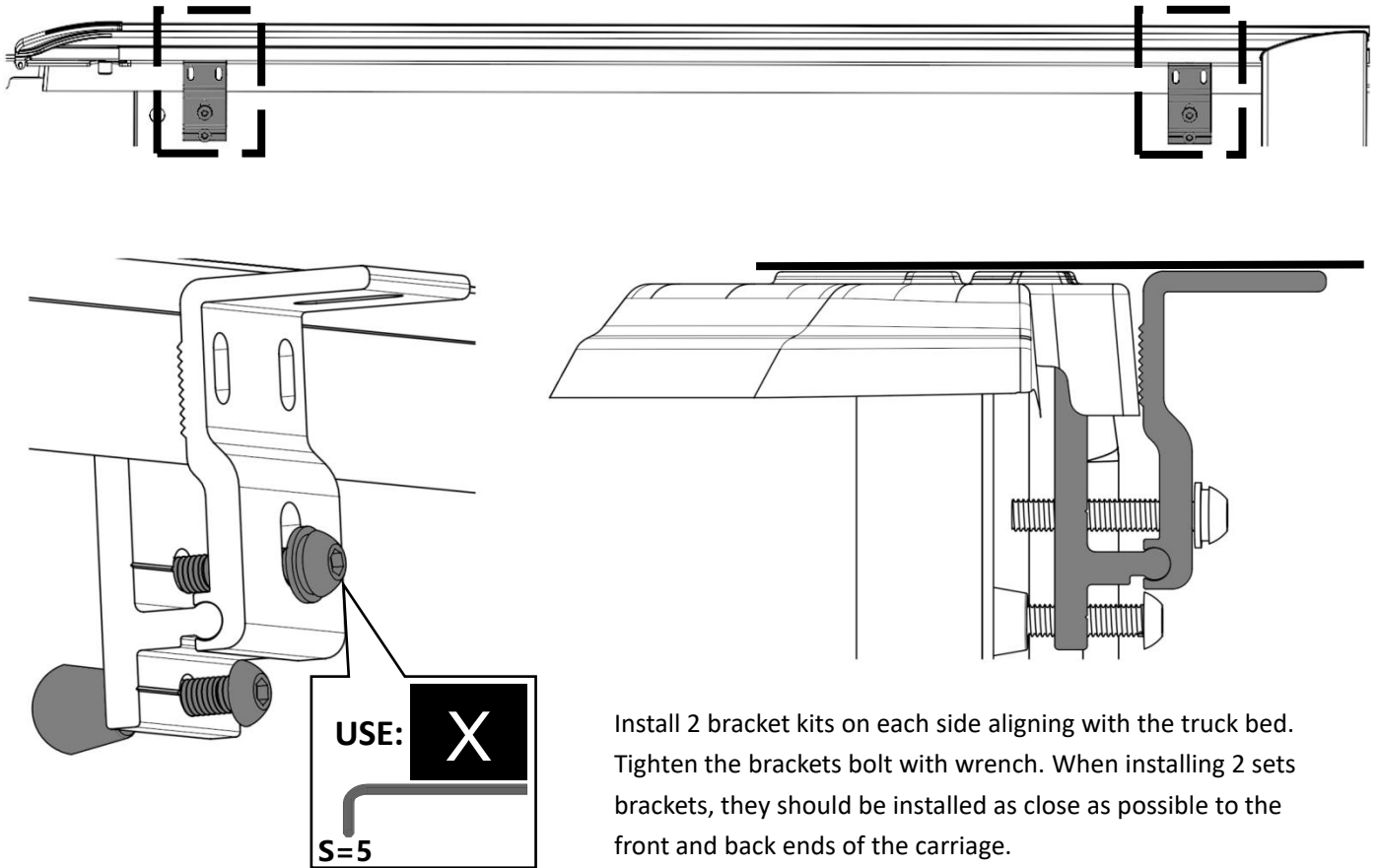
16



J

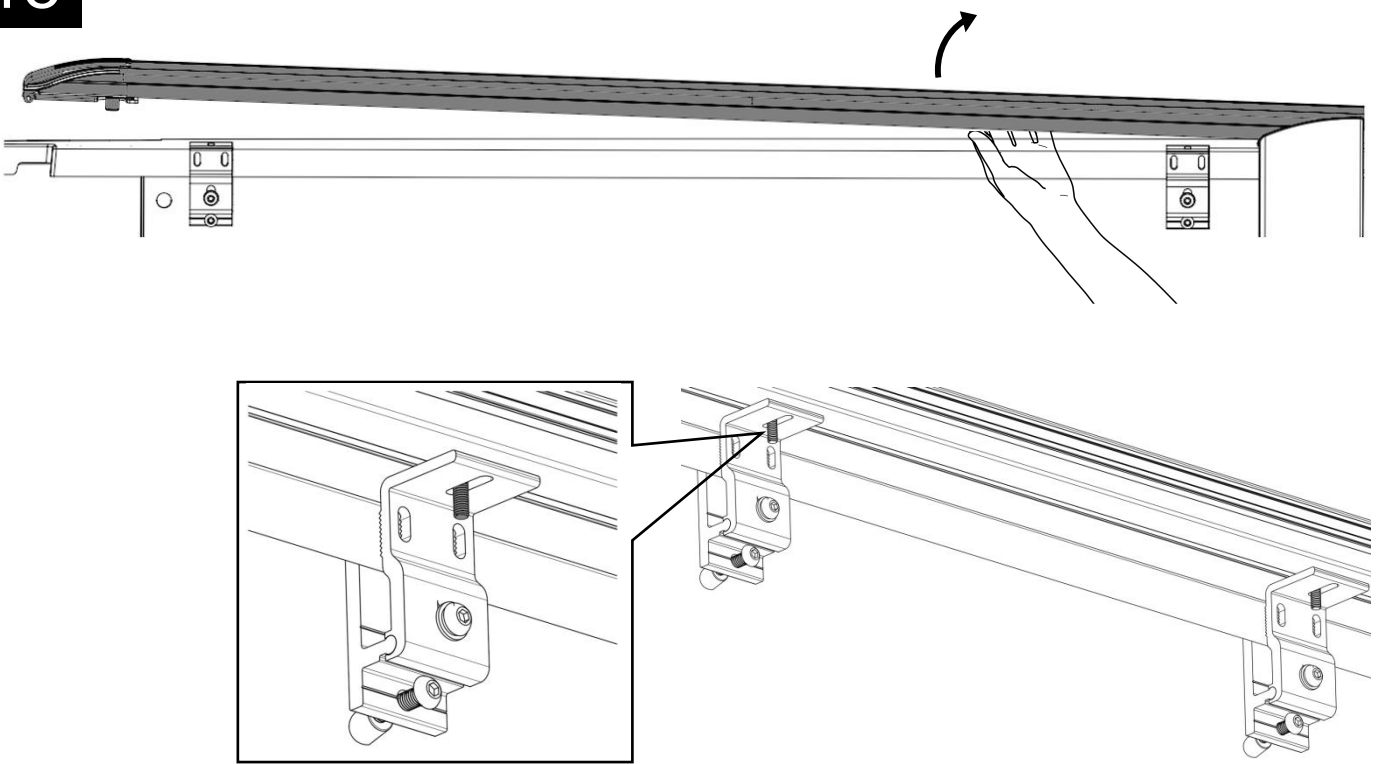
Slide T slot into the bottom chute of the side bar. Half/half on each side (different car models with different T slot quantity).

17

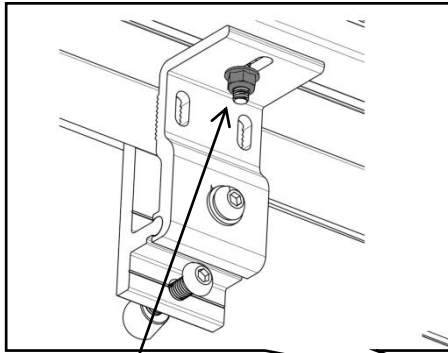


Install 2 bracket kits on each side aligning with the truck bed. Tighten the brackets bolt with wrench. When installing 2 sets brackets, they should be installed as close as possible to the front and back ends of the carriage.

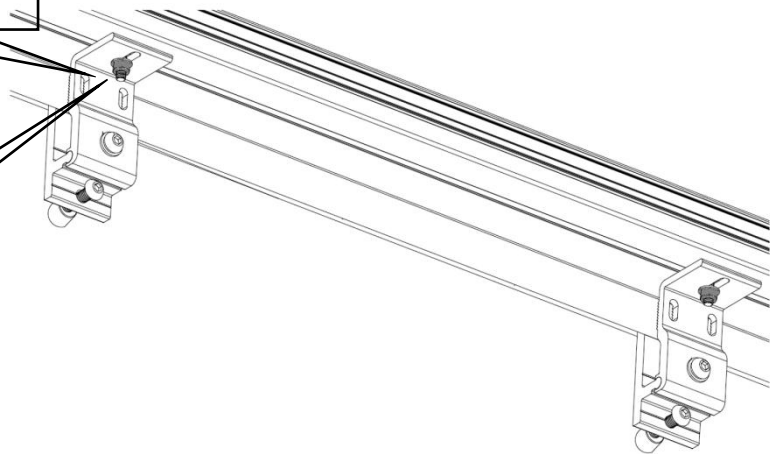
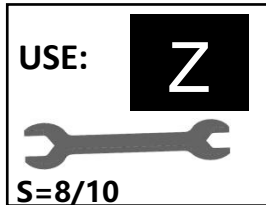
18



19



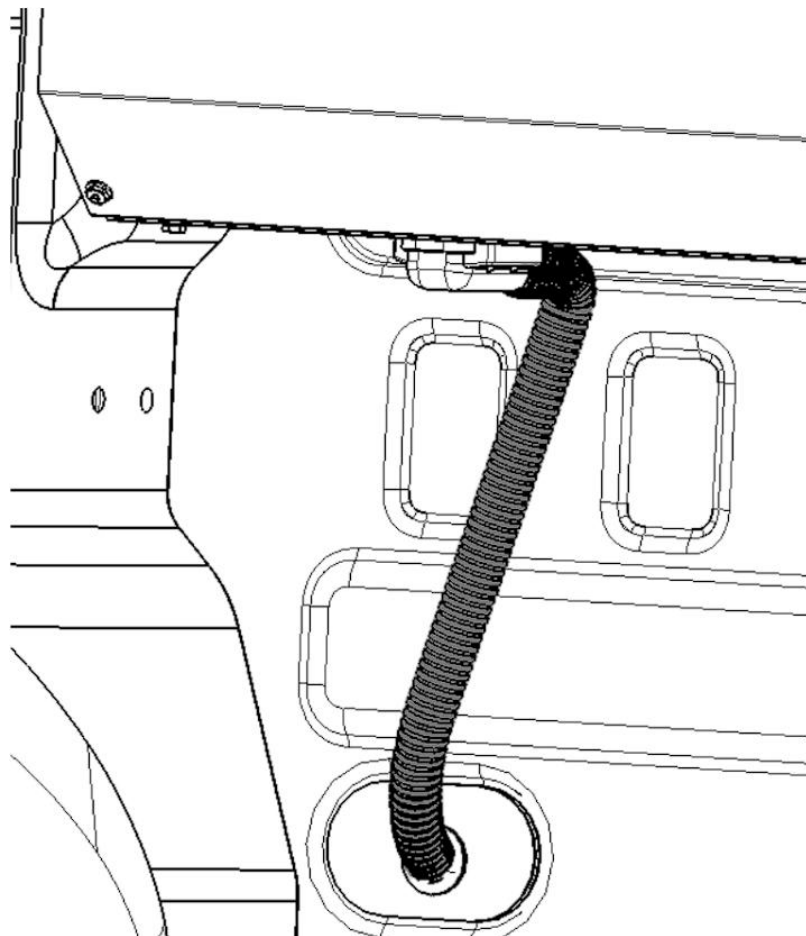
K



Tips: Do not tighten completely, just pre-tighten a little bit so the side bar can still be adjusted.

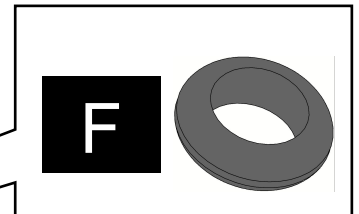
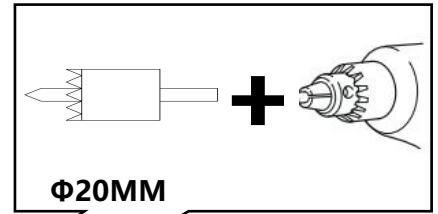
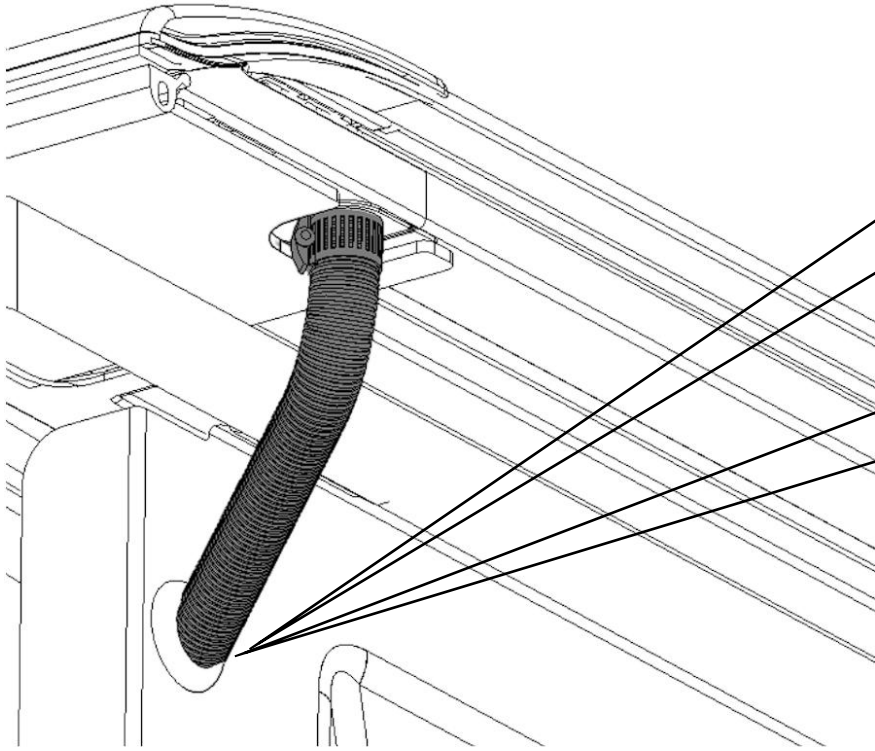
Assemble nut K with bolt, and just pre-tighten with wrench.

20



Thread the canister drain tube out of the truck bed.

21

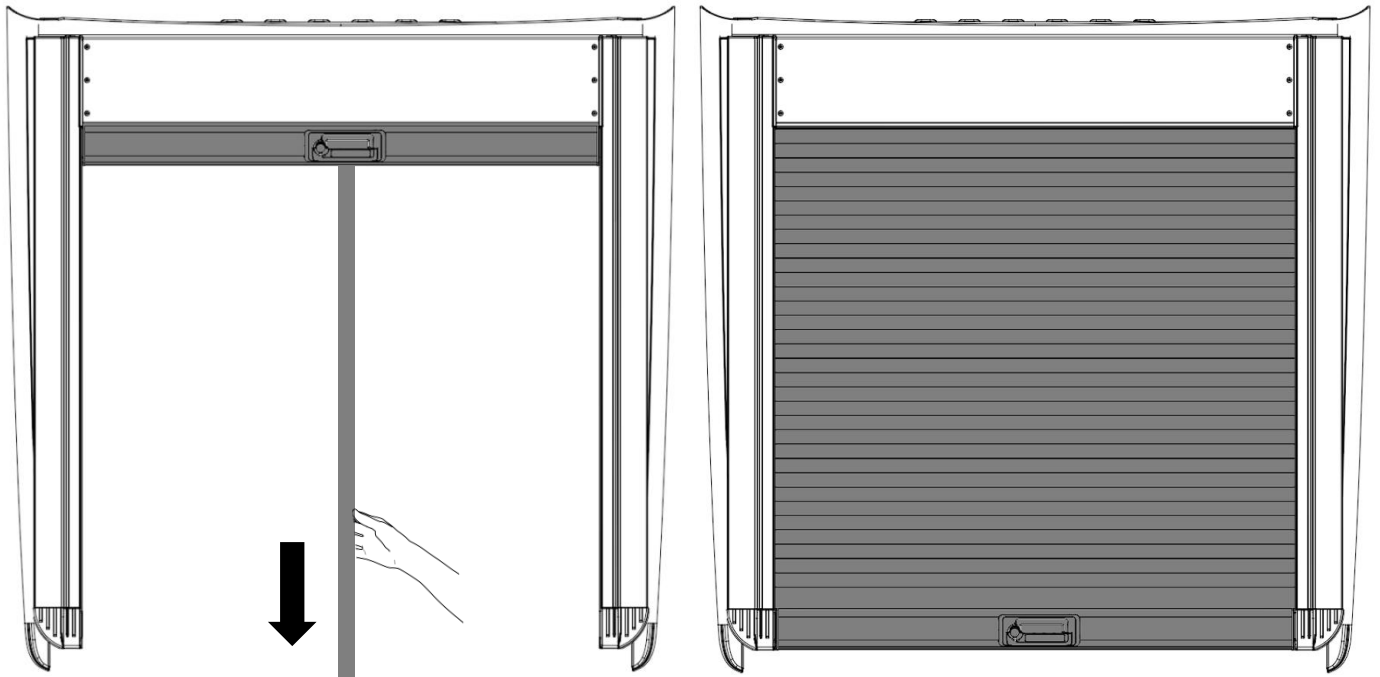


If there is original hole on vehicle around the tailgate, then thread the drain tube out of the car. If not, drill a $\Phi 20$ hole with the above tool (make the hole surface smooth without hurting hands and then install the rubber washer F).

2.4 Inspection (M5 or M6)

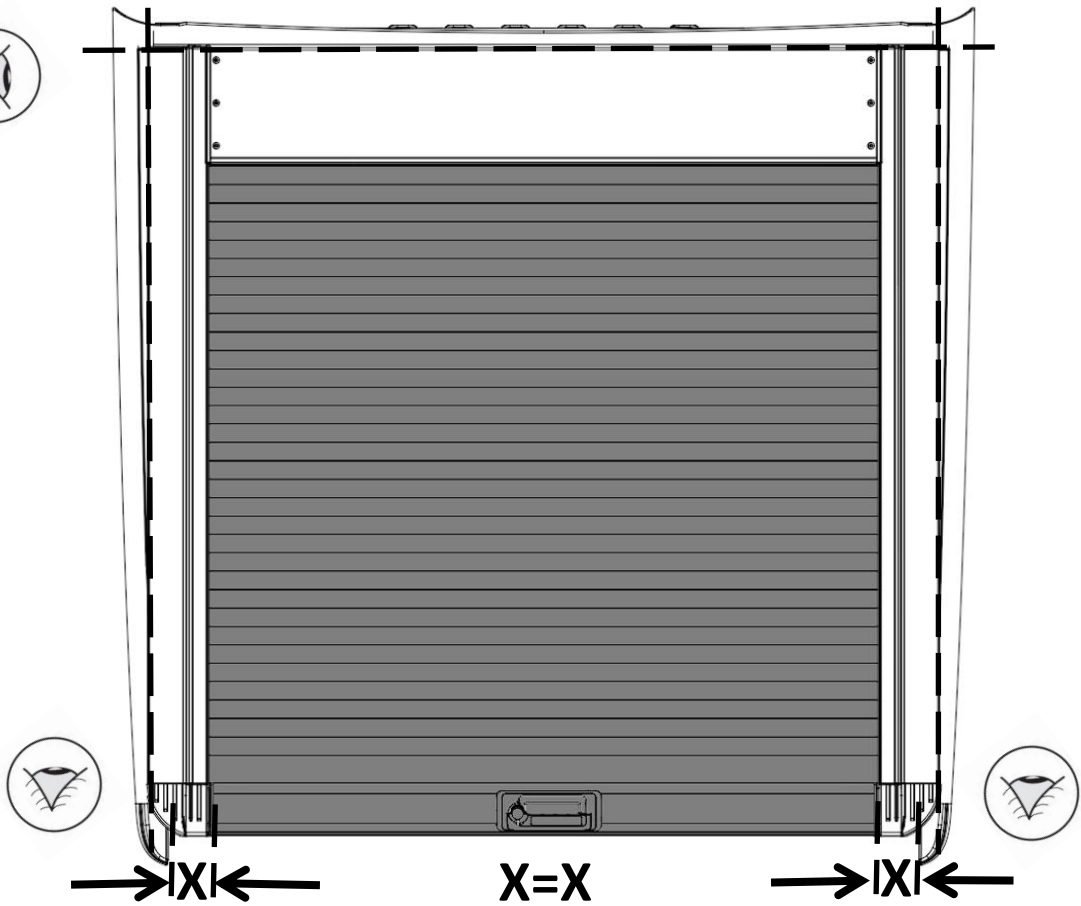
Option1: Gauge M5

22



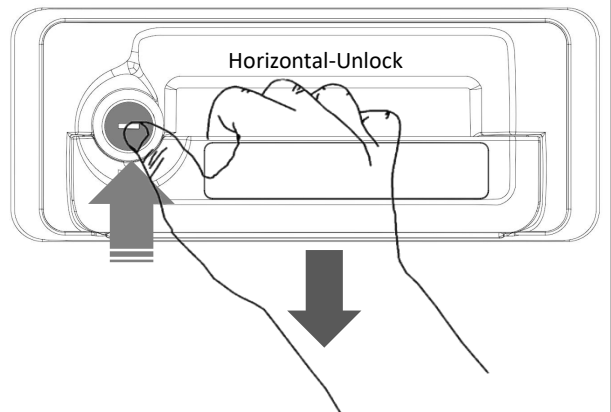
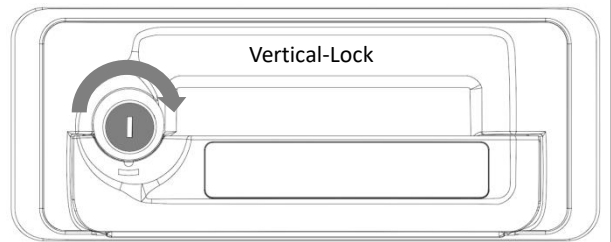
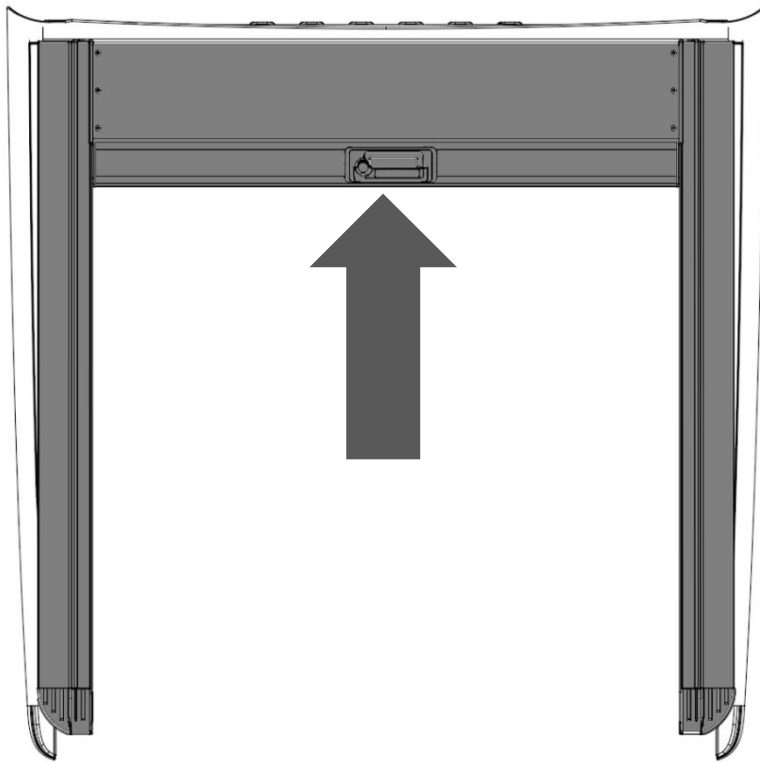
Pull the rope to the end to close the cover.

23

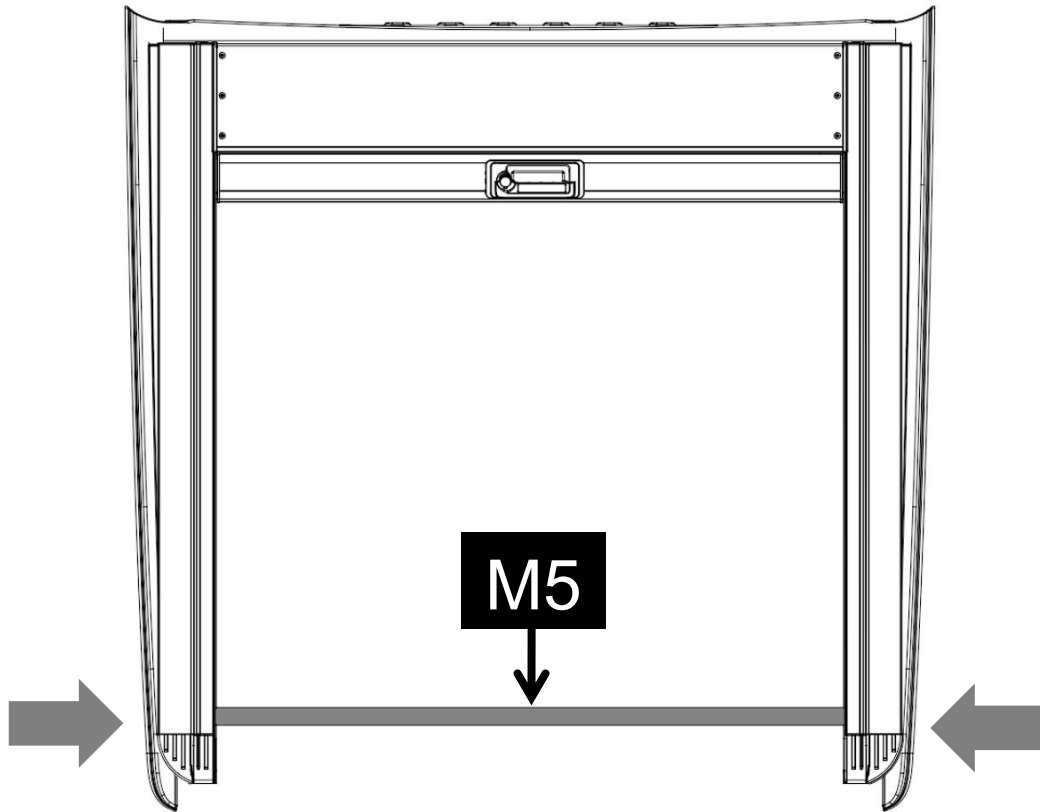


Adjust the products installation position until it is as shown in above picture.

24



Unlock: Horizontal keyhole--Pull the handle backward and press to unlock.

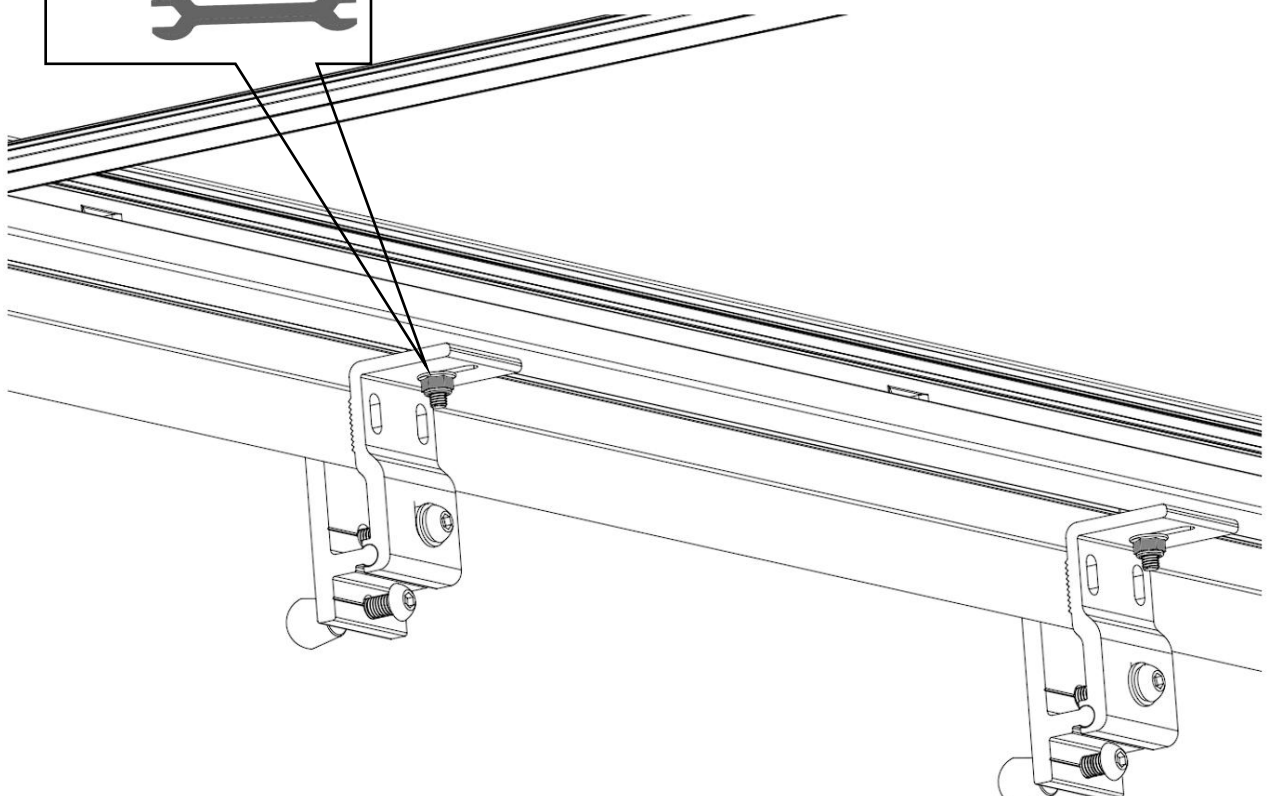


Place gauge M5 into the side bars, move back and forth several times to test whether the roller is well installed. Then push against the side bar end cap to the middle on both sides and adjust it with slight force.

25

USE:

Z

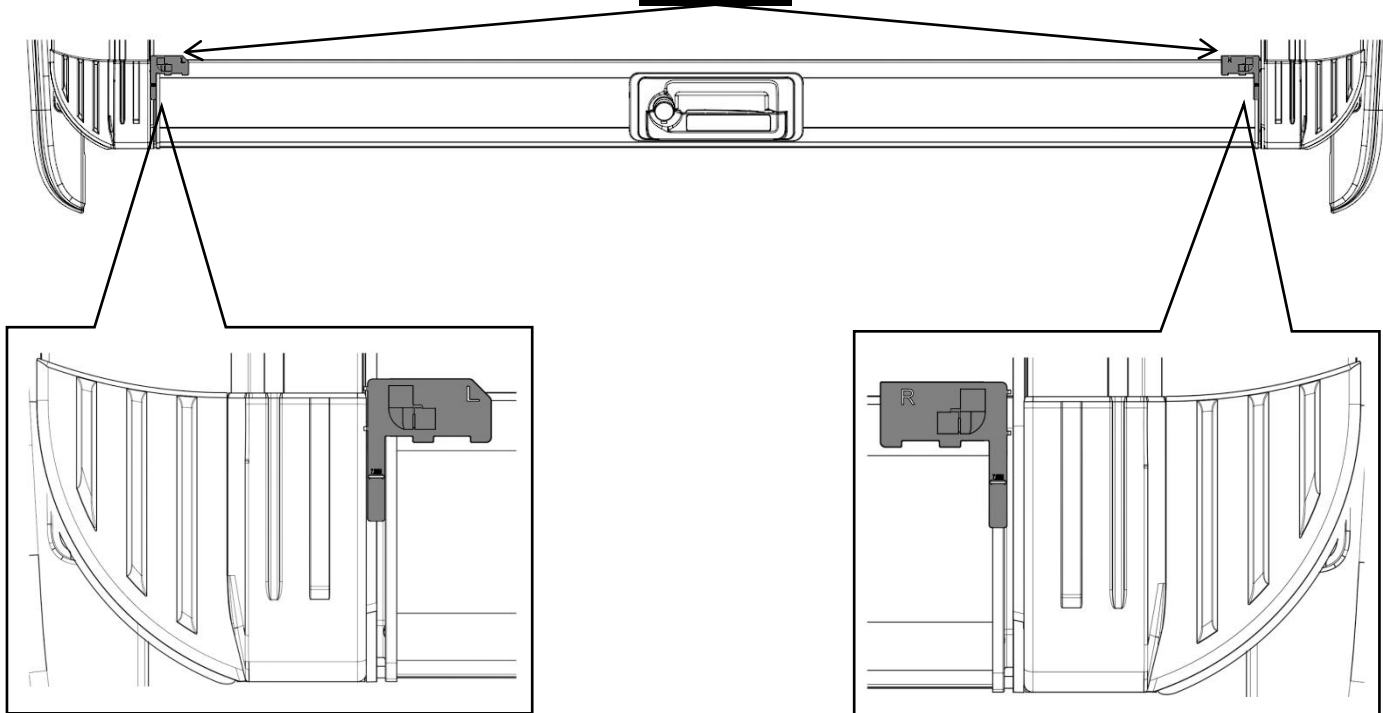


Tips: Remove gauge M5 after tightening the bolt.

Tighten the nuts with wrench.

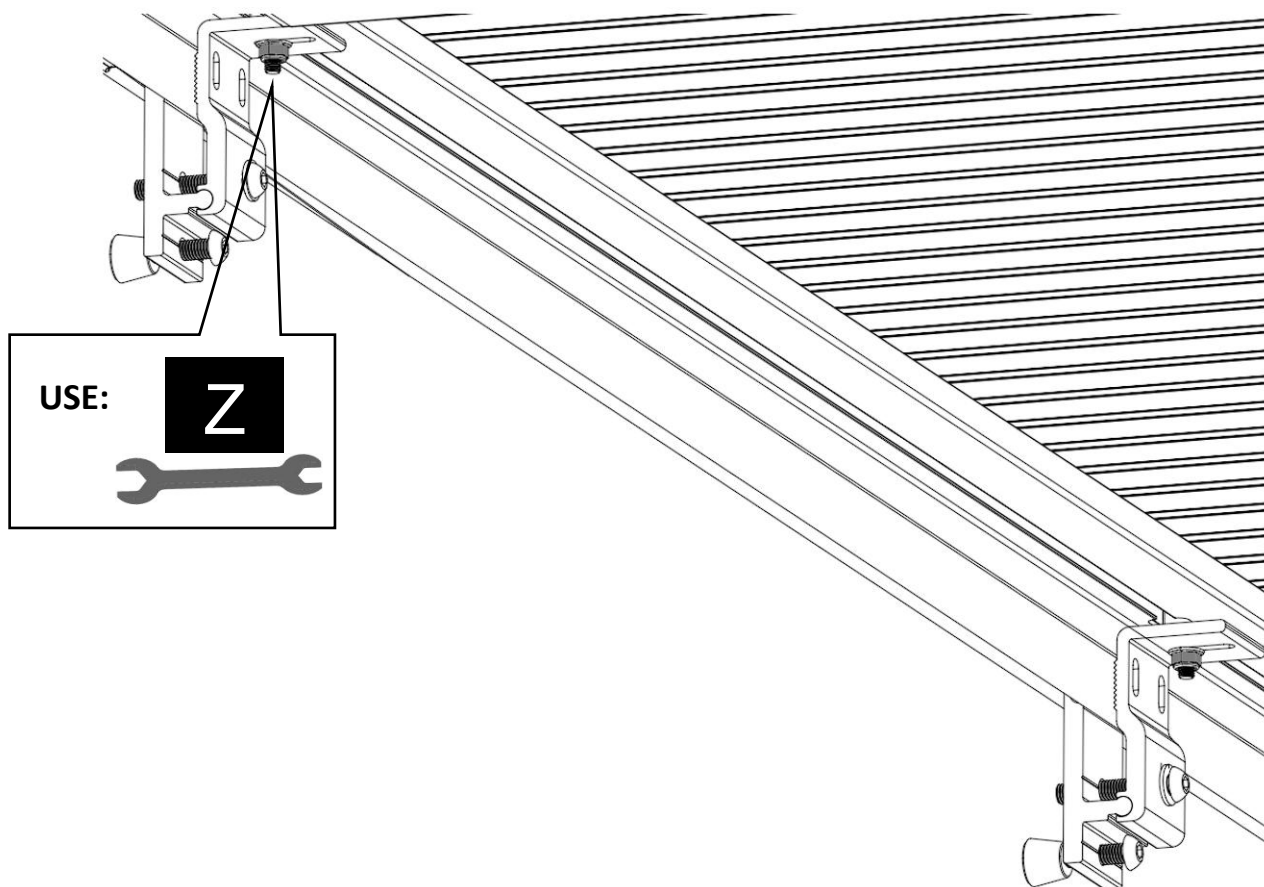
26

M6



Tips: This is another way of adjustment.

Close the roller, and place the gauge M6 between tailgate bar and side bar end caps, gap between 7 -9 mm is the best state.



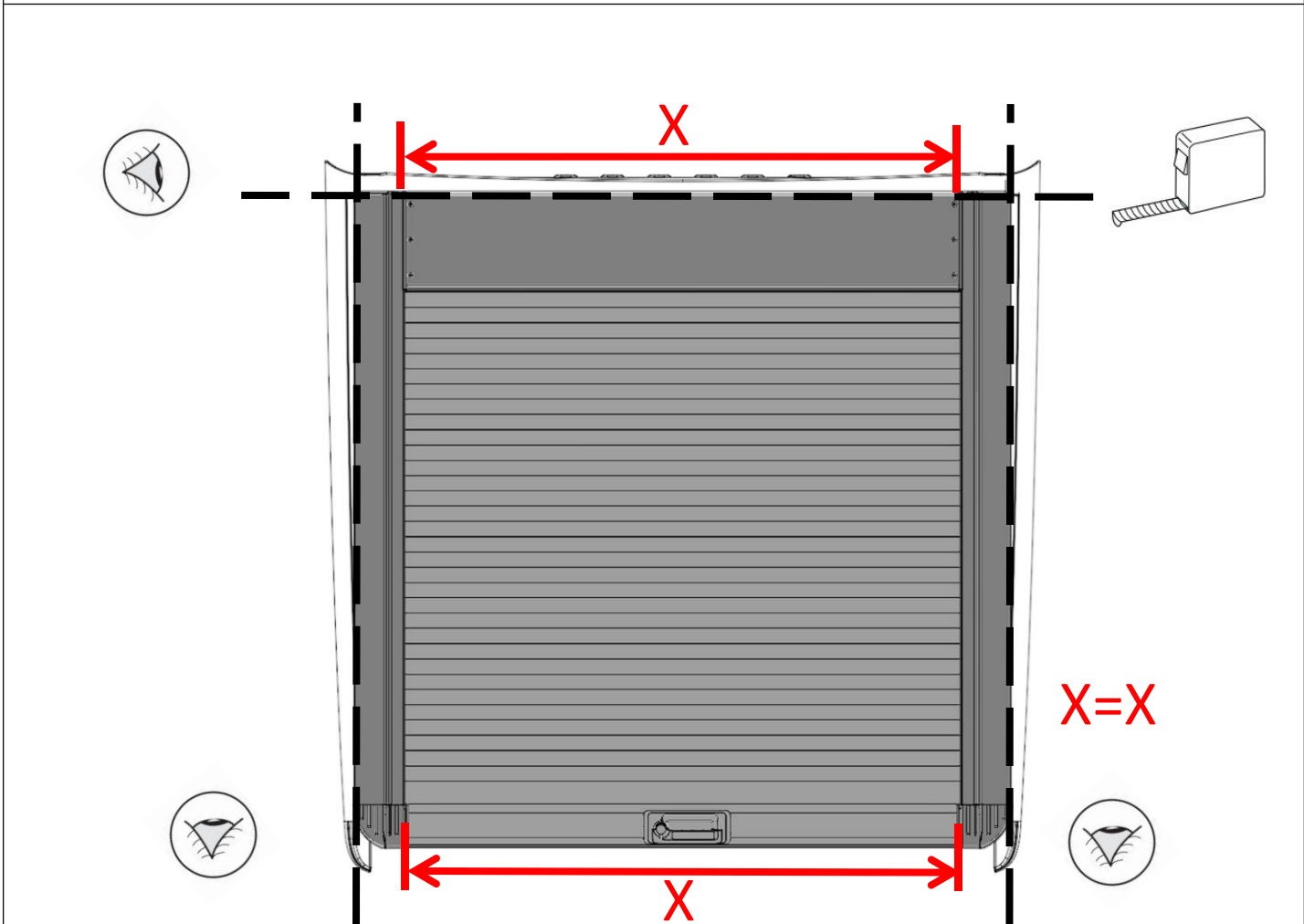
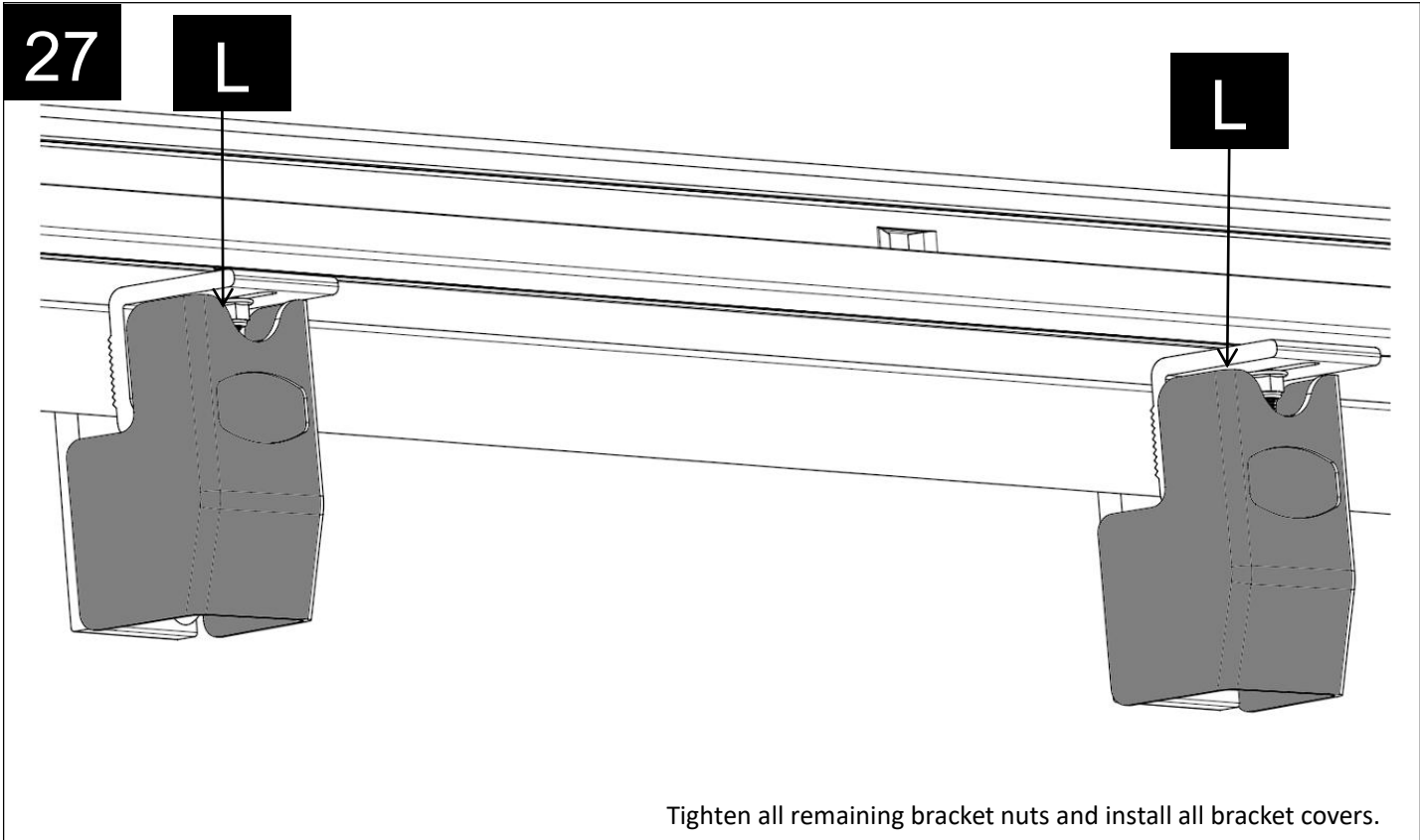
USE:

Z



Tips: Fix the nuts on both sides first, then take away the gauge M6.

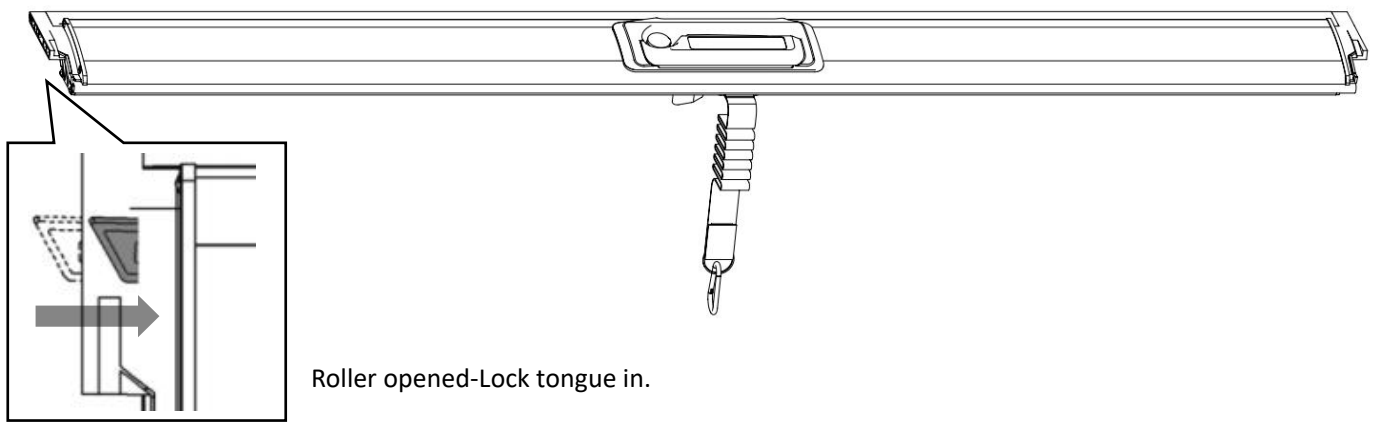
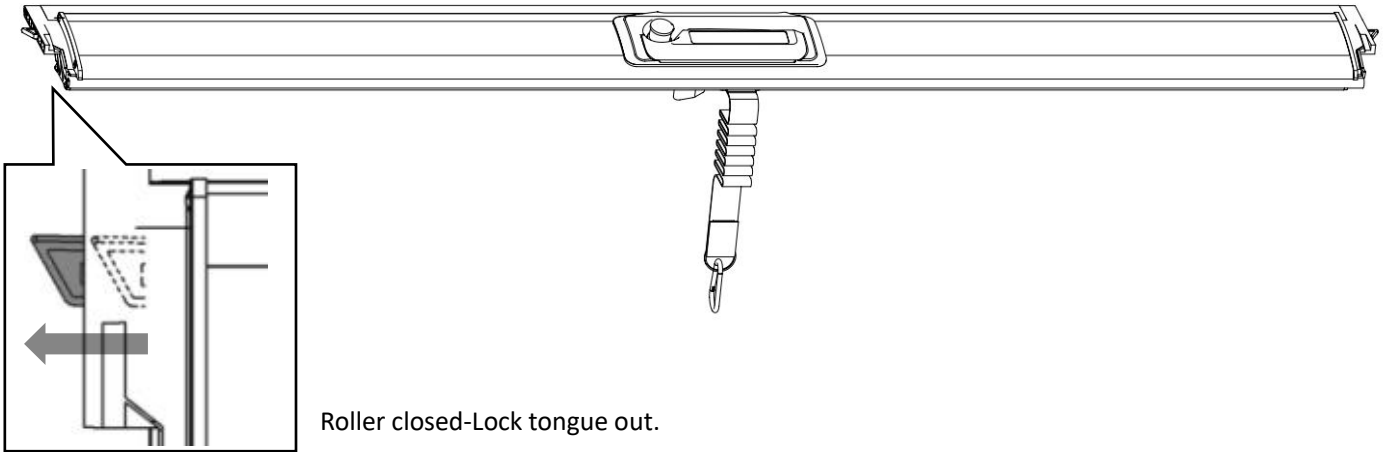
Tighten the nuts of the rear brackets with wrench Z. Then open the cover and tighten the front bracket nuts.



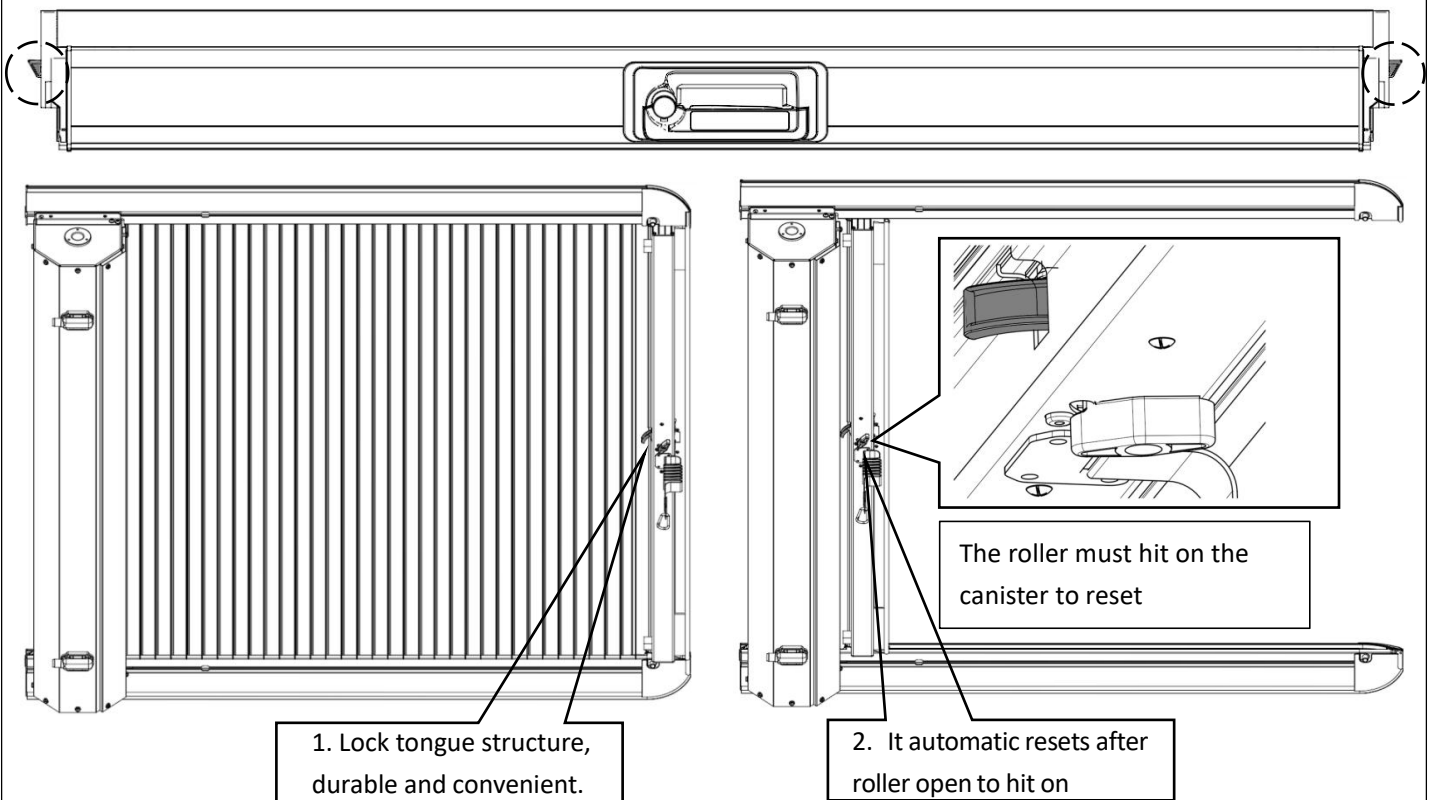
Make sure all the bolts are tightened; Close the roller and see if the roller is parallel on both sides as shown in pic. Measure if the distance are the same in front(rear)(within 2mm difference is the best state).

3. Operation

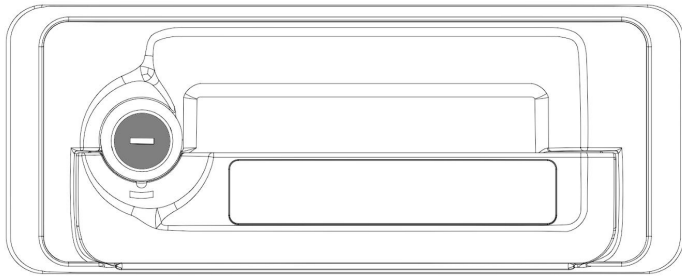
3.1 Manual Lock Introduction



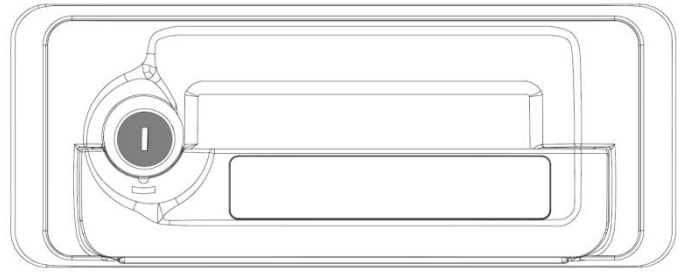
3.2 Benefits



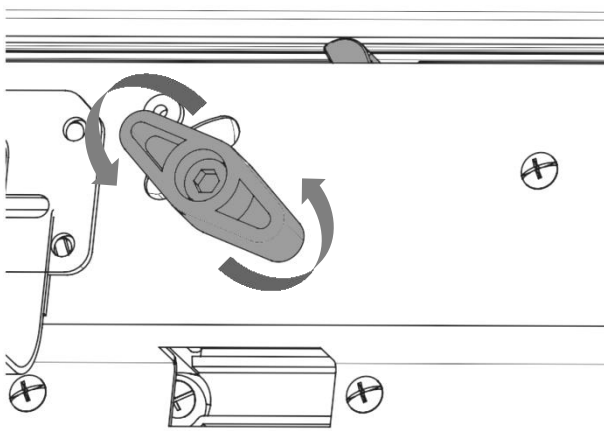
3.3 Operation



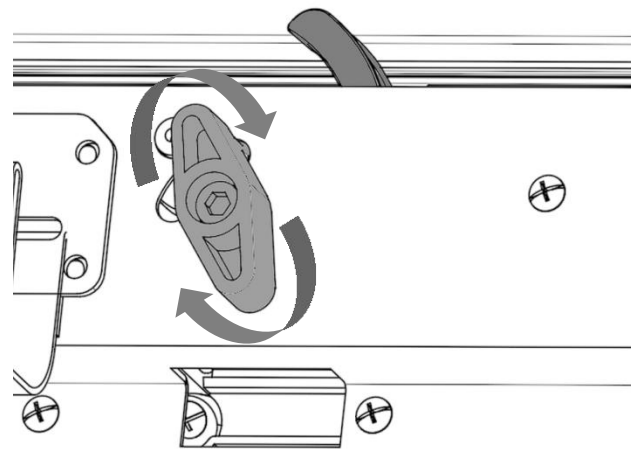
Unlock: Horizontal keyhole--Pull the handle backward and press to unlock.



Lock: Close the roller--turn the keyhole to vertical direction to lock.

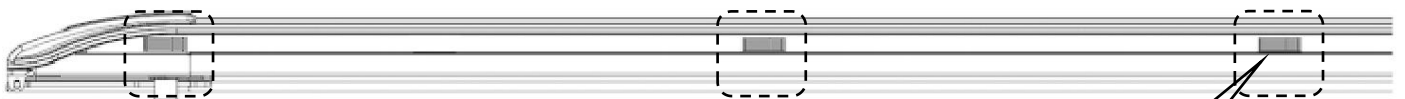


Rotate the block to unlock as above.

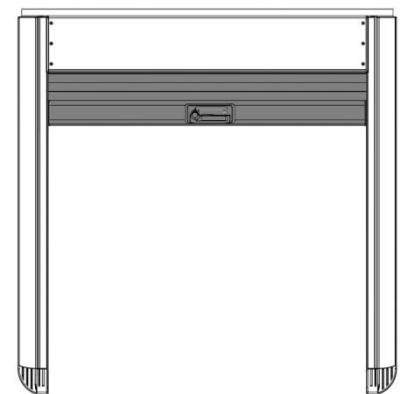
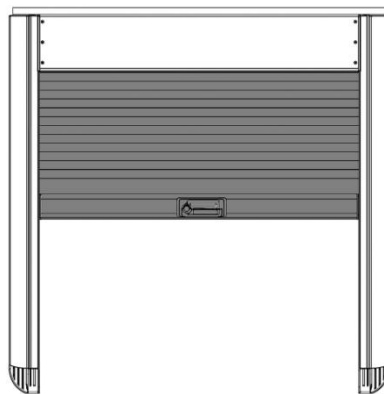
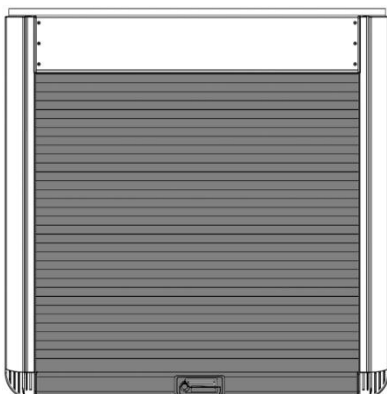
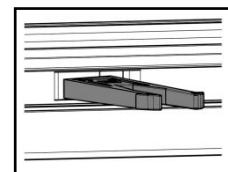


Rotate the block to lock as above.

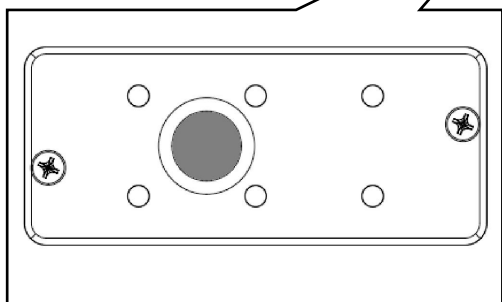
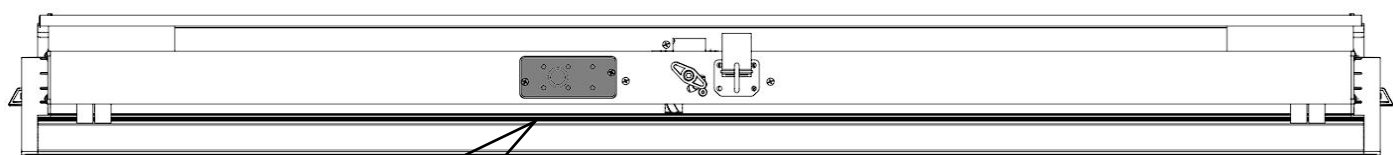
3.4 Function Introduction



The roller can be stopped in 3 positions based on actual needs.



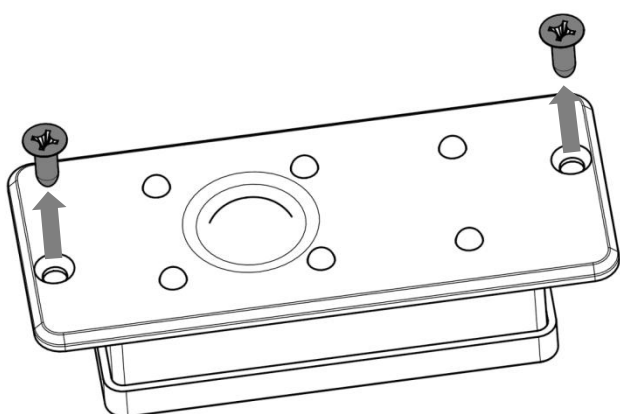
3.5 LED Light



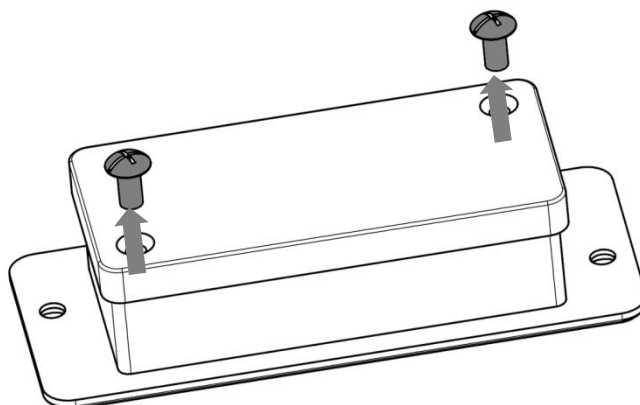
Operation

Press the red button to turn on/off the light.
If you do not touch the red button to turn off the light, it will automatically off after 5 minutes.

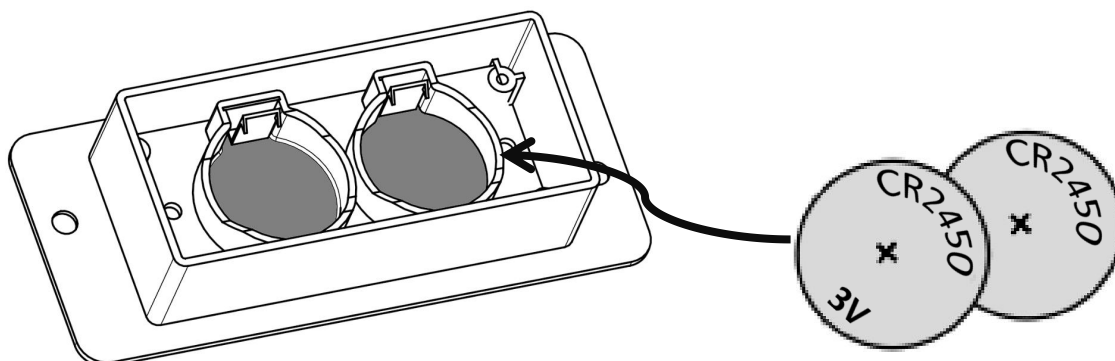
Change the batteries for LED Light



Unfasten the screws on both sides to take out the light box;



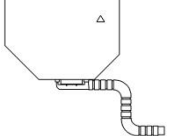
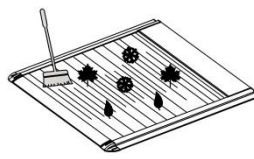
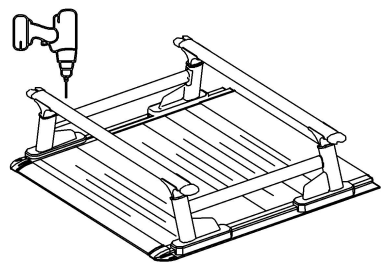

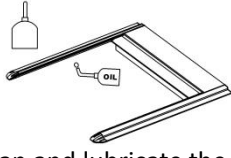
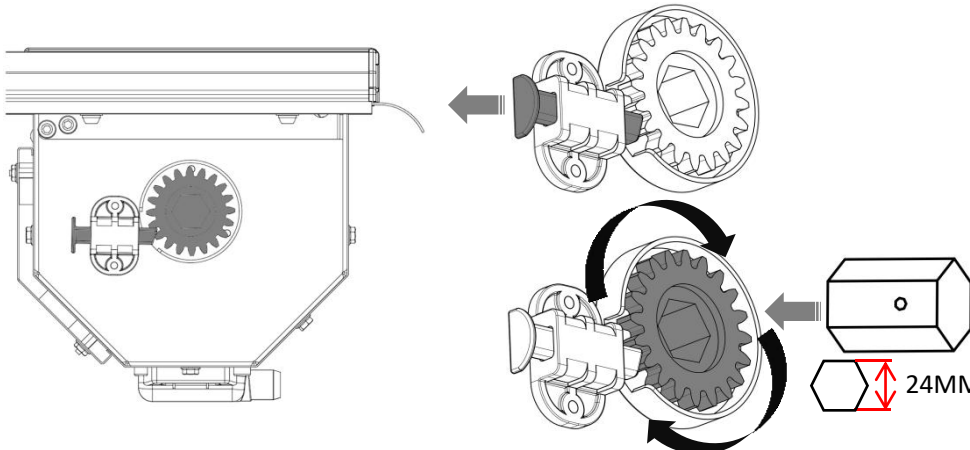
Unfasten the screws under the light box;



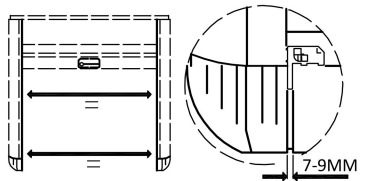
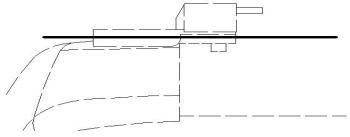
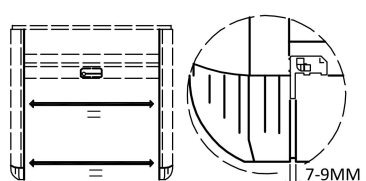
Replace with new batteries and install the light box back to the roller. Please pay attention to the +/- pole of the batteries during installation.

4 Maintenance

4.1 Daily Maintenance

 <p>Keep the drainpipe free from blockage.</p>	 <p>Clear the litter before use.</p>	 <p>Please drill holes on the vehicle body for installing heavy loading equipment.</p>
 <p>Every 6 months to clean and lubricate the canister.</p>	 <p>Clean and lubricate the track every 3 months.</p>	
		<p>If the roller retract speed is too fast or customer has to take out the cover to clean canister, please pull out torsion spring control block to release the force.</p> <p>If the roller retract speed is too slow/less force, then rotate clockwise with the hex block. Note: No need to operate the torsion spring control block.</p>

4.2 Common Problem Solution

No.	Common Fault Phenomenon	Analysis	Pics	Solutions
1	<p>1.It can't roll in after unlock.</p> <p>2.Not enough strength to roll in completely.</p>	<p>1. Side bars are installed inward or outward and not placed parallel.</p> <p>2. Big resistance leads to non-smooth operation.</p>		<p>1.Use the installation gauges;</p> <p>2.Adjust the side bar installation to make sure the front and rear distance are the same;</p> <p>3.Pull the roller out completely, and measure the gap between tailgate bar and side bar ends, gap between 7-9mm is the best.</p>
		<p>1.Side bars were installed collapses downward.</p>		<p>1.Adjust the brackets of side bar installation, to make sure the side bars are parallel to the roller.</p>
2	<p>The roller can't lock, or auto open during driving.</p>	<p>1.Side bars are installed outward so the gap is too big to lock.</p>		<p>1.Use the installation gauges to make sure the front and rear distance are the same; the slide rail is parallel;</p> <p>2.Pull the roller out completely, and measure the gap between tailgate bar and side bar ends, gap between 7-9mm is the best.</p>

5 Helpful Maintenance Hints

1. To assure quiet and smooth operation of your roller, please regularly clean and lubricate the rail tracks and canister. It is recommended every 3 months or 6,000 km, or when you use it in muddy water, desert, Gobi desert, etc. Please focus on cleaning the side rails and the spiral track inside the container which may have sand, sludge, gravel and other sundry inside. Please use the lubricants we offered or other brand silicone oil-type lubricants after cleaning, and increase the frequency of using lubricants based on actual situation. Avoid using petroleum-based product on rubber seals. Lighter oil spray lubes with PTFE (Teflon) seem to work the best when regularly wiped out and reapplied.
2. Avoid the thicker grease type because they tend to get sticky and gather a lot of dust and debris and then later dry out. Also Avoid the silicone dry lubes as they tend to cause squealing noise between the sliding components.
3. Please make sure the roller is in a stop status before cleaning/lubricating, to avoid causing extrusion or collision injury.
4. To clean the rail tracks and the spiral track inside the container, please apply the lubricant to a rag and wipe it inside of the rail tracks, along the underside of the sweep seal and the top of the wear strip. Repeat until the dust has been removed. You can also use a high-pressure water gun if necessary and then make sure all components have been lubricated. Please DO NOT direct aiming the high-pressure water gun to the motor/ECU/connector when cleaning, and do some necessary waterproof protection for connectors/plugs.
5. To clean the canister, remove the rail stops, or vertical rails as required, and run the cover out far enough that you can get into the canister. Apply the lubricant to a rag and wipe the inside of the canister, including all components inside the canister. Ensure the Drain Tubes are clear of any debris or blockage. Reassembly the cover.
6. If you find that the brightness of the remote control signal indicator light is obviously weakened, or the button indicator light does not on, please replace the battery in time (battery model: CR2450).
7. To keep the roller in tip-top condition, we recommend washing it the same as caring for your truck finish. A lack of proper cleaning and maintenance can affect the operation of the product and reduce its life.
8. Do not attempt to drive with the tail panel in the partially open position.
9. Tonneau cover must be free of foreign material including snow and ice before opening panels.
10. Do not tow your vehicle from the rear with the tonneau on your truck.
11. Do not operate vehicle with objects on top of cover.

Failure to follow these cautions may result in severe damage and will void your warranty.